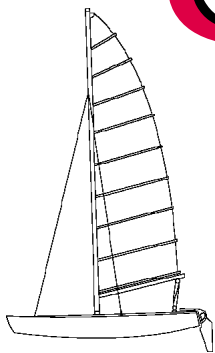
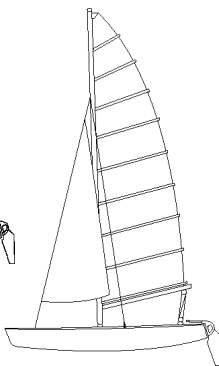




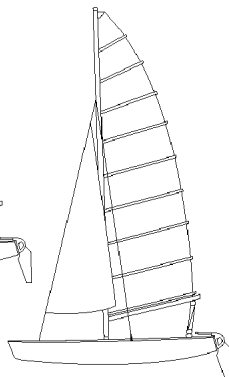
Prindle PARTS CATALOG



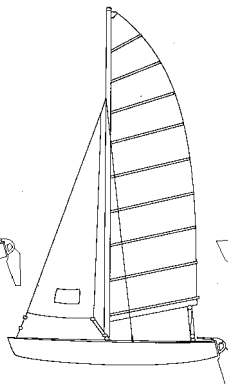
Prindle
15



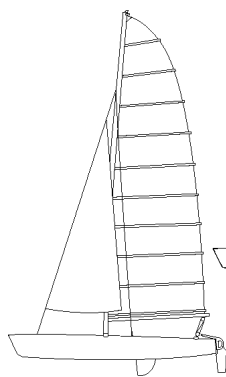
Prindle
16



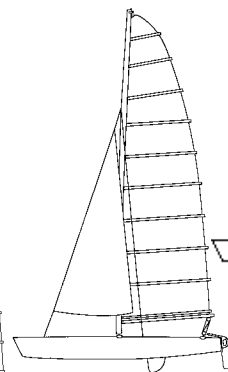
Prindle
18



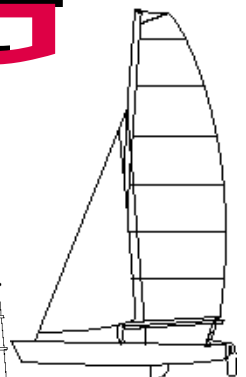
Prindle
Escape



Prindle
18-2



Prindle
19



Prindle
19MX

Performance Catamarans, Inc.

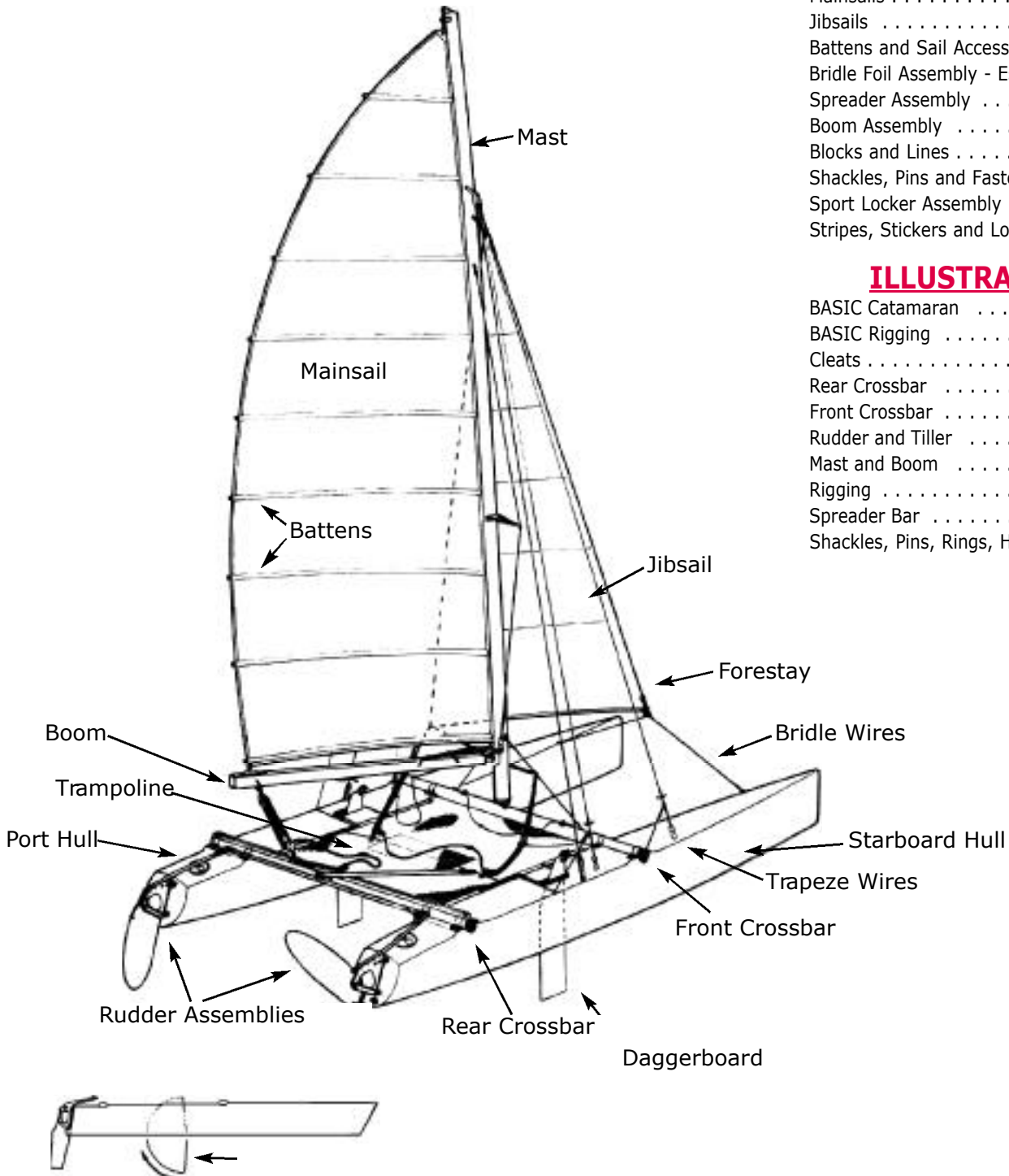
TABLE OF CONTENTS

BASIC CATAMARAN ILLUSTRATION

Hull Assembly	.3
Rear Crossbar Assembly	.3
Front Crossbar Assembly	.4
Rudder and Tiller Assembly	.5
Mast Assembly	.6
Rigging	.7
Mainsails	.8
Jibsails	.8
Battens and Sail Accessories	.8
Bridle Foil Assembly - Escape	.8
Spreader Assembly	.9
Boom Assembly	.9
Blocks and Lines	.10
Shackles, Pins and Fasteners	.11
Sport Locker Assembly	.12
Stripes, Stickers and Logos	.12

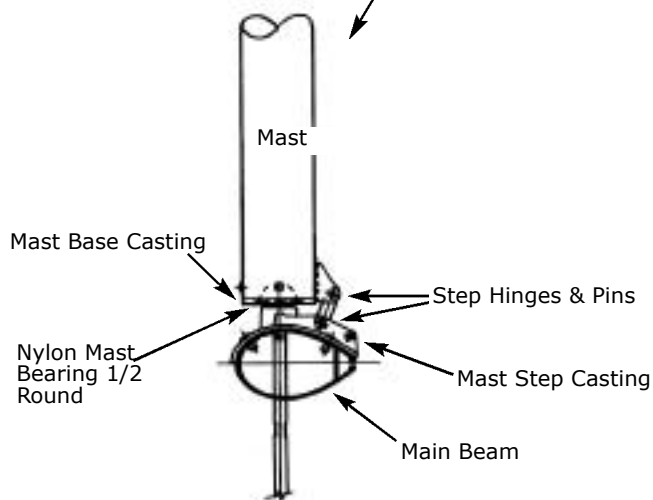
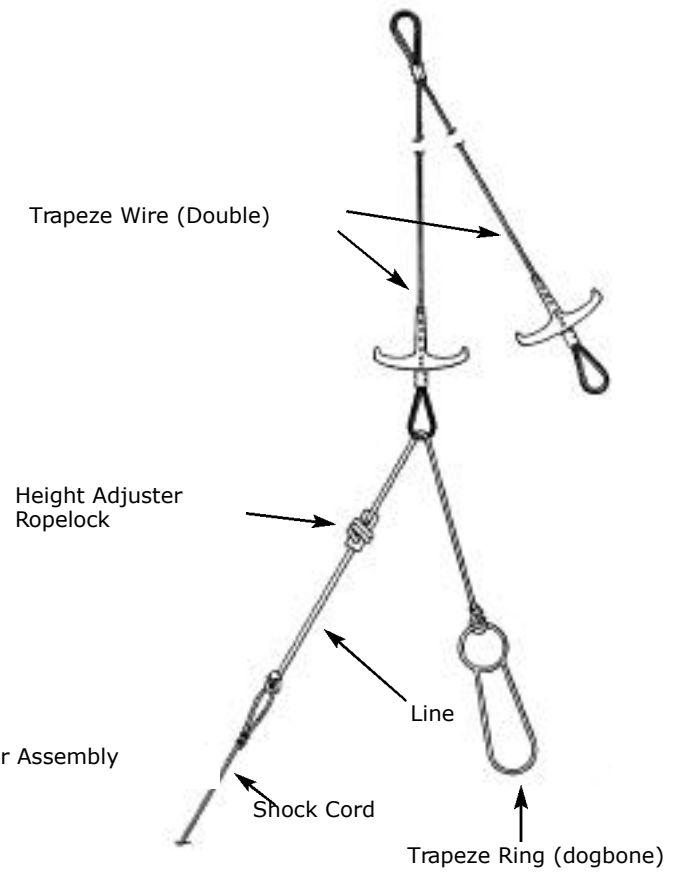
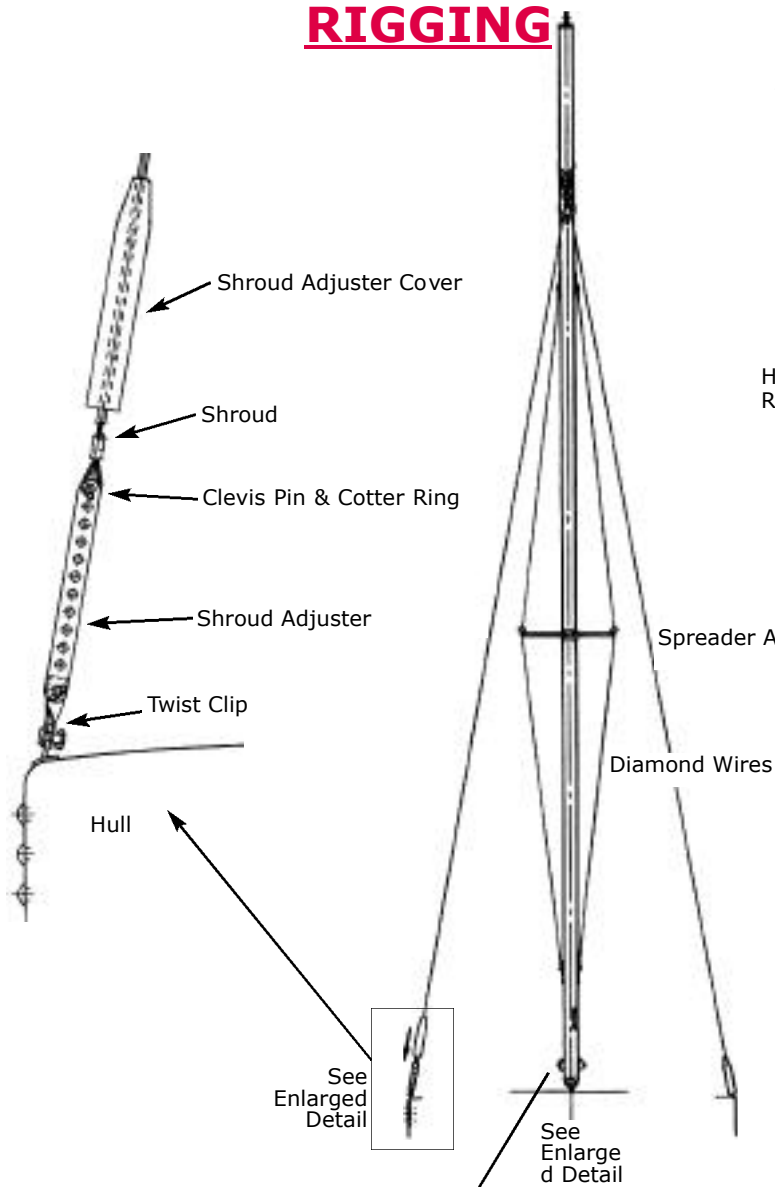
ILLUSTRATIONS

BASIC Catamaran	.IFC
BASIC Rigging	.2
Cleats	.2
Rear Crossbar	.3
Front Crossbar	.4
Rudder and Tiller	.5
Mast and Boom	.6
Rigging	.7
Spreader Bar	.9
Shackles, Pins, Rings, Hooks	.11

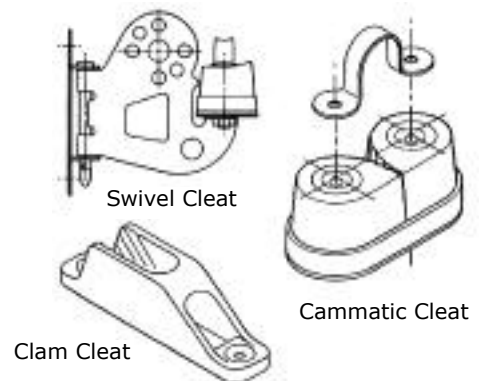


Illustrations are basic and may not be representative of your particular model.
If you have any questions, contact your local dealer.

BASIC CATAMARAN RIGGING



CLEATS



Prindle

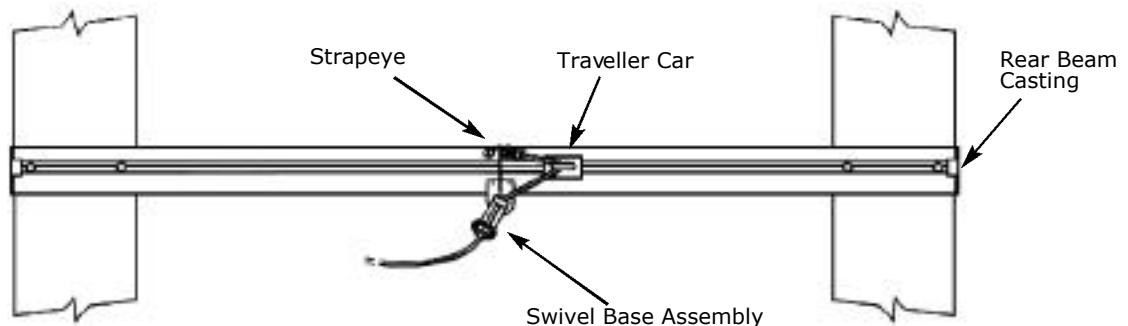
HULL ASSEMBLY

<u>P/N</u>	<u>DESCRIPTION</u>	<u>MODEL</u>			
			F117	Bolt for Gudgeon 1/4" X 1-1/4"	18-2/19
1500	Port Hull/1501 Starboard Hull	15	1017	Drainplug Complete with Metal Housing	ALL
1600	Port Hull/1601 Starboard Hull	16	F111	Drainplug Screw #8 X 1"	ALL
1700	Port Hull/1701 Starboard Hull	Escape	9036	Replacement Drainplug with Washer	ALL
1800	Port Hull/1801 Starboard Hull	18	1819	Hatch Complete 6" White	ALL
1840	Port Hull/1842 Starboard Hull	18-2	1822	Hatch Cover Only	ALL
1920	Port Hull/1922 Starboard Hull	19	1823	Hatch "O" Ring Only	ALL
1026	Centerboard Complete	18-2/19	1910	Jib Track	18-2/19
1027	Centerboard Spring Kit (4 sizes)	18-2/19	1912	Jib Traveller Car/Slider	18-2/19
1029	Centerboard Pivot Tube - PVC	18-2/19	1911	Jib Track End	18-2/19
1950	Centerboard Shockcord Adjuster (with PVC Tube)	18-2/19	F102	Rivet for Cleat and Jib Track End Stop	18-2/19
4870	Centerboard Lock Bearing	18-2/19	F103	Rivet for Jib Track	18-2/19
F144	Centerboard Lock Screw	18-2/19	F145	Replacement Screw for Jib Car	18-2/19
1810	Bow Tang	15/16/18/Escape	1830	Trampoline Track (undrilled)	18-2/19
1809	Tang Cover	18-2/19	F101	Rivet for Trampoline Track	18-2/19
1811	4" Aluminum Bar for Bow Tang	15/16/18	6807	Clam Cleat for 4-Way Jib System	18-2/19
F125	Screw for Bow Tang	15/16/18/Escape	9905	4-Way Adjustable Plate	18-2/19
1012	Shroud Pin	15/16/18/Escape	C500	Gelcoat Kit (1 pt.) for Hull Repair **	ALL
1015	Hull Cap	15/16/18/Escape	9050	Owners Manual	15/16/Escape/18
1016	Rudder Gudgeon	15/16/18/Escape	9058	Owners Manual	18-2/19
1011	Rudder Gudgeon	18-2/19	**	<i>Gelcoat Kits do not contain catalyst and cannot be shipped by air.</i>	
1008	Rudder Gudgeon - Extended	18-2/19			
<u>P/N</u>	<u>DESCRIPTION</u>	<u>MODEL</u>			

REAR CROSSBAR ASSEMBLY

<u>P/N</u>	<u>DESCRIPTION</u>	<u>MODEL</u>	<u>P/N</u>	<u>DESCRIPTION</u>	<u>MODEL</u>
3000	Rear Crossbar	15/16/18/Escape	F141	Rear Crossbar Bolt 5/16" X 5-3/4" Hexcap	ALL
3900	Rear Crossbar	18-2/19	3010	Traveller Car	ALL
3002	Rear Crossbar Endcap - Right	15/16/18/Escape	3505	Traveller Swivel Base Assembly	ALL
3003	Rear Crossbar Endcap - Left	15/16/18/Escape	3007	Cam Cleat Base Casting	ALL
3902	Rear Crossbar Endcap - Right	18-2/19	3008	Pad Eye for Traveller Line	ALL
3903	Rear Crossbar Endcap - Left	18-2/19	9870	Traveller Line (5/16" X 10')	ALL
F105	Rear Crossbar Bolt 5/16" X 5" Flathead	ALL	F103	Rivet for Swivel Base Mount	ALL

REAR CROSSBAR ASSEMBLY

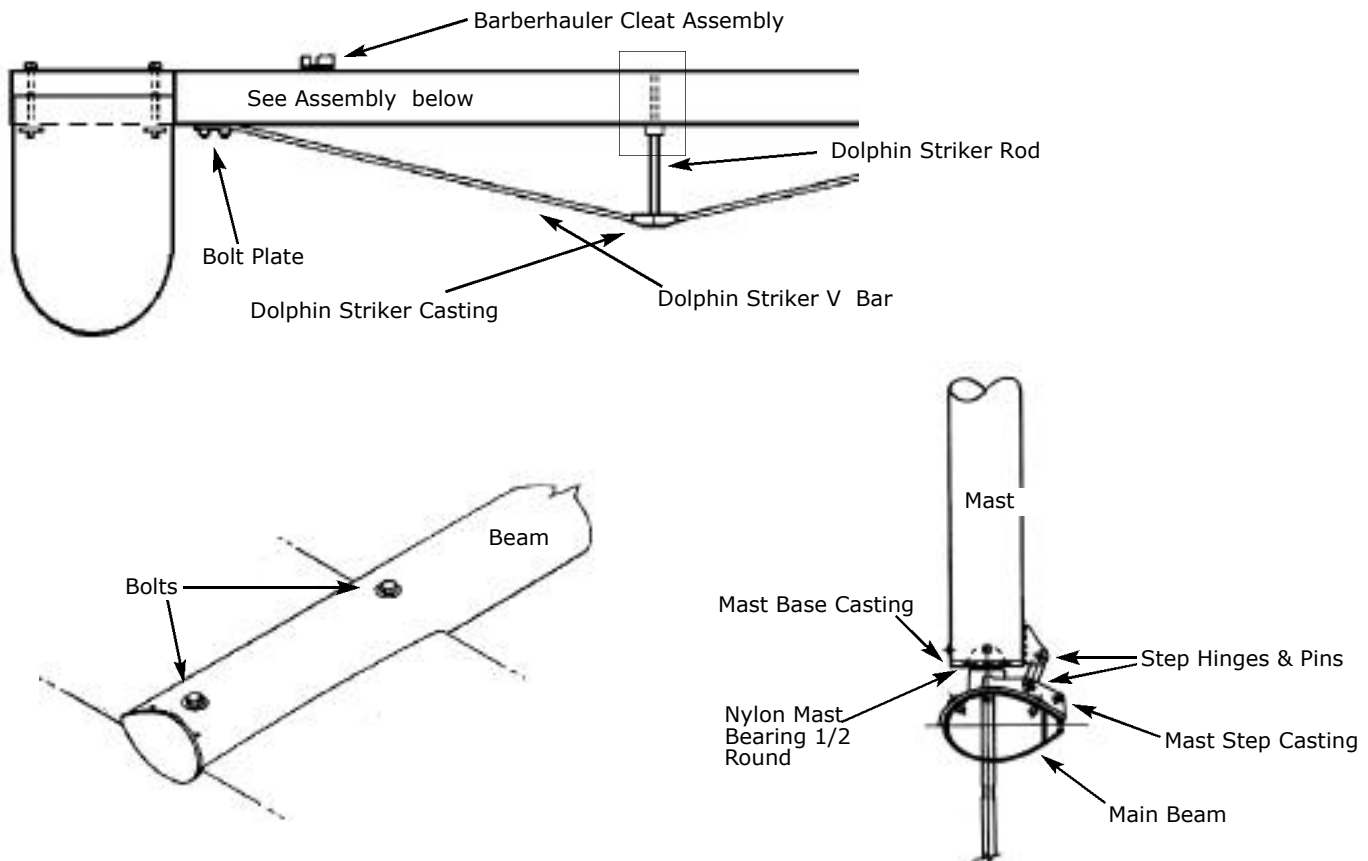


Prindle

FRONT CROSSBAR ASSEMBLY

<u>P/N</u>	<u>DESCRIPTION</u>	<u>MODEL</u>	<u>P/N</u>	<u>DESCRIPTION</u>	<u>MODEL</u>
2000	Front Crossbar Complete	15/16/18	2010	Dolphin Striker "V" Bar	15/16/18/Escapes
2050	Front Crossbar Complete	Escape	2910	Dolphin Striker "V" Bar	18-2/19
2900	Front Crossbar Complete	18-2/19	9048	Barberhailer Base Plate - Left	ALL
2902	Front Crossbar Endcap	ALL	9049	Barberhailer Base Plate - Right	ALL
F104	5/16" X4-1/4" Hexcap (Outboard)	15/16/Escapes	9047	Barberhailer Bullet Block with Becket	ALL
F110	5/16" X4-1/2" Hexcap (Inboard)	15/16/Escapes	9034	Barberhailer Cheek Block	ALL
F142	3/8" X 4-1/4" Hexcap	18-2/19	9816	Barberhailer Line (1/4" X 16')	16/18
2004	Dolphin Striker Rod (10-3/4")	15/16/18/Escapes	9831	Barberhailer Line (1/4" X 18')	18-2/19
C106	Dolphin Striker Rod (12-1/4")	18-2/19	9055	Barberhailer Cammatic Cleat	16/18/18-2/19
9008	Grease for Dolphin Striker Rod Lubrication	ALL	9045	Fairlead for Cam Cleat	16/18/18-2/19
2505	Dolphin Striker Casting	ALL	F134	Screw for Barberhailer (3")	ALL
F112	Dolphin Striker Screw	ALL	F135	Screw for Barberhailer (1-1/2")	ALL
2006	Mast Step Casting	15/16/18/Escapes	F137	Screw for Barberhailer (2-1/2")	ALL
2906	Mast Step Casting	18-2/19	9902	Jib Block	Escape
2007	Nylon Mast Bearing 1/2" Round	ALL	9910	Spring for Jib Block	Escape
2008	Bolt Plate for Dolphin Striker	ALL	C230	Barberhailer Kit - Option	16/18
F107	Locknut for Dolphin Striker Bolt Plate	ALL			

FRONT CROSSBAR ASSEMBLY

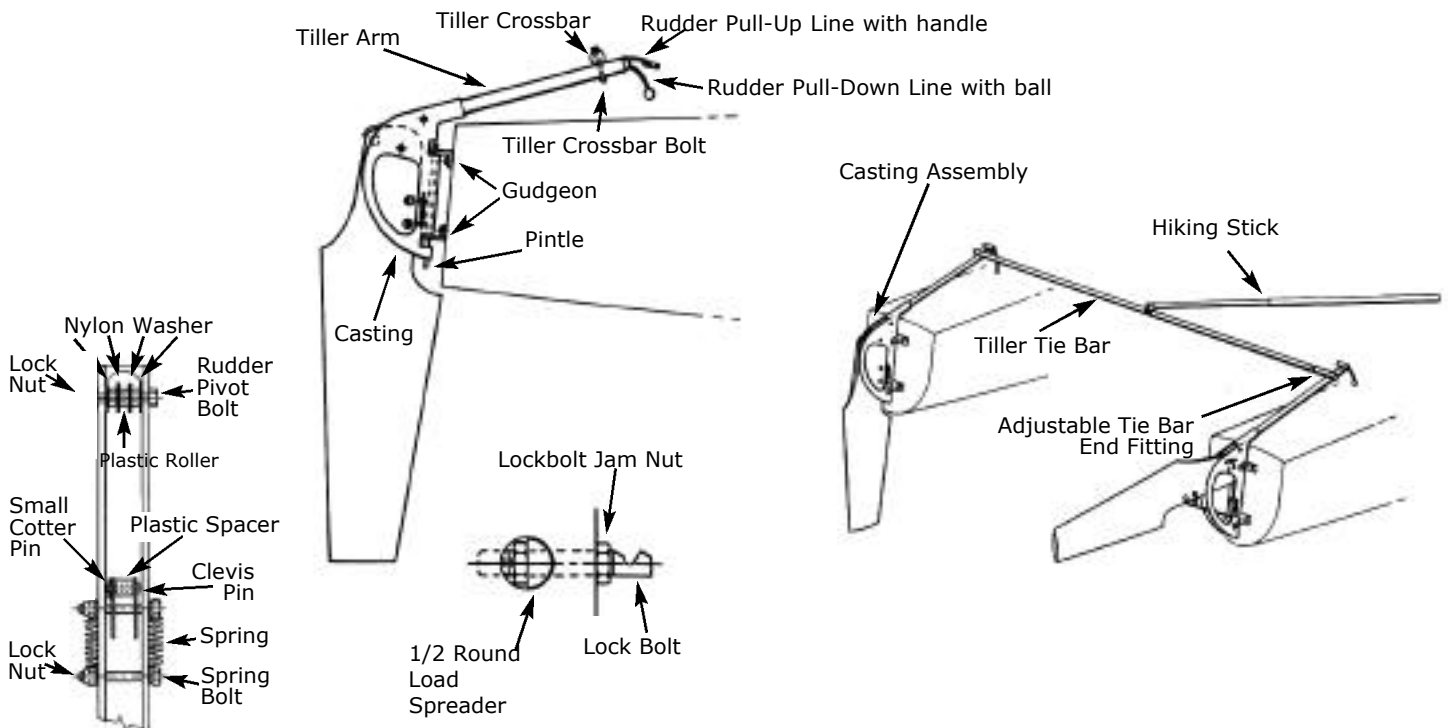


Prindle

RUDDER AND TILLER ASSEMBLY

<u>P/N</u>	<u>DESCRIPTION</u>	<u>MODEL</u>			
4000	Rudder Assembly Complete (w/Tiller Crossbar)	15/16/18/Escap	4020	Rope End Ball	ALL
4900	Rudder Assembly Complete (w/Tiller Crossbar)	18-2/19	5101	Pull Up Handle	ALL
4001	Rudder Casting - Left (plain)	ALL	4021	Rudder Pintle with Pin (Aluminum)	15/16/18/Escap
4002	Rudder Casting - Left (with hardware)	15/16/18/Escap	4522	Rudder Pintle with Pin (Stainless Steel)	18-2/19
4007	Rudder Casting - Left (with hardware)	18-2/19	4022	Rudder Blade without Fittings	15/16/18/Escap
4005	Rudder Casting - Right (plain)	ALL	4025	Rudder Blade without Fittings	18-2/19
4006	Rudder Casting-Right (with hardware)	15/16/18/Escap	4225	Rudder Blade (Long)	19
4008	Rudder Casting - Right (with hardware)	18-2/19	4017	Rudder Lock Bolt	ALL
5004	Rudder Arm Slotted	ALL	4018	Lockbolt Jam Nut	ALL
5009	Rudder Arm Slotted (long)	18-2/19	4019	1/2 Round Load Spreader	ALL
5006	Rudder Arm End Casting	ALL	5007	Tiller Crossbar (without Adjustable End Cap)	15/16/18/Escap
4010	Lock Release Strap	ALL	5008	Tiller Crossbar (without Adjustable End Cap)	18-2/19
4009	Plastic Roller (Upper)	ALL	5106	Adjustable End Cap (2 Piece)	ALL
4012	Clevis Pin	ALL	5005	Tiller Crossbar End Casting	ALL
F115	Cotter Pin for Rudder Pintle	ALL	F100	Rivet for Rudder Arm	ALL
4014	Plastic Spacer (Lower)	ALL	F124	Bolt for Tiller Connector and Blade Pivot	ALL
4013	Small Cotter Pin inside Casting	ALL	F123	Nut for Spring Bolt and Tiller Connector	ALL
4016	Spring	ALL	F119	Flat Washer for Tiller Connector	ALL
F120	Spring Bolt Hex Cap (1/4" X 2-1/8")	ALL	F118	Nylon Washers (Internal Casting)	ALL
4023	Rudder Pull Down Line with Ball	ALL	5801	Aluminum Hiking Stick	ALL
4024	Rudder Pull Up Line with Handle	ALL	5802	Extendible Arriba Hiking Stick	ALL
4026	Rudder Pull Down Line w/ball (long)	18-2/19	C281	Yoke Assembly for Tiller Extension	ALL
4027	Rudder Pull Up Line w/handle (long)	18-2/19	1006	Rudder Extender Kit	18-2/19
<u>P/N</u>	<u>DESCRIPTION</u>	<u>MODEL</u>			

RUDDER AND TILLER ASSEMBLY

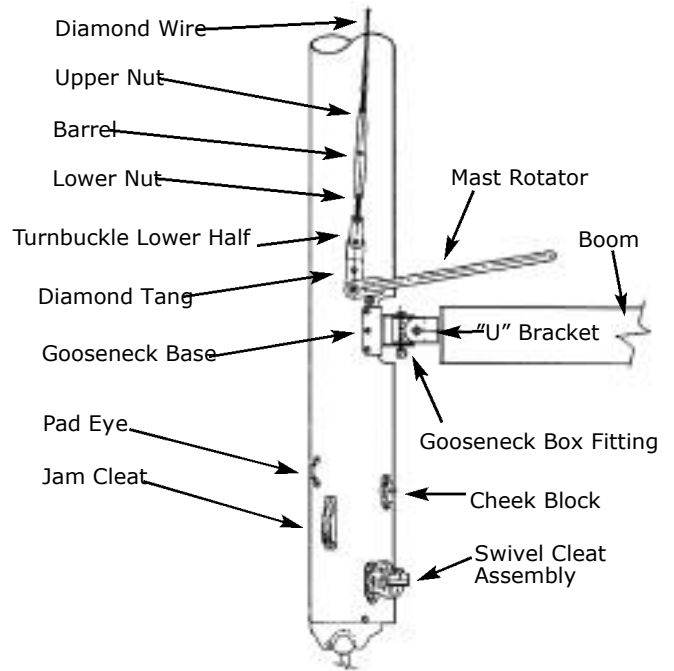
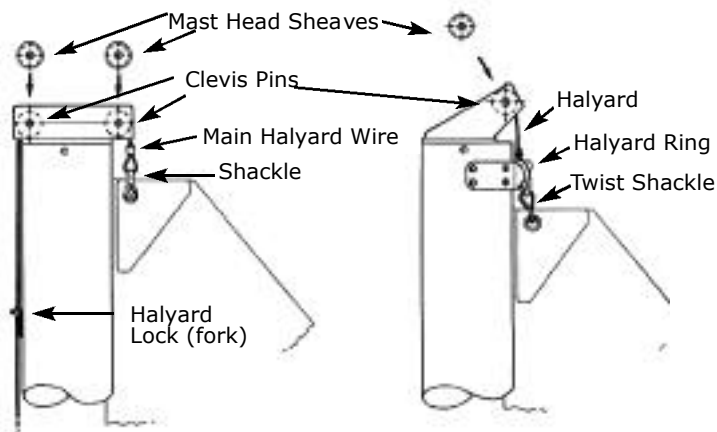


Prindle

MAST ASSEMBLY

<u>P/N</u>	<u>DESCRIPTION</u>	<u>MODEL</u>	<u>P/N</u>	<u>DESCRIPTION</u>	<u>MODEL</u>
6500	Mast Assembly Complete	15	6814	Diamond Spreader Base	18/18-2/19
6000	Mast Assembly Complete	16	6817	Diamond Tang - 4 Hole (top)	18/18-2/19
6700	Mast Assembly Complete	Escape	6808	Mast Rotator Bolt Plate	15/18/18-2/19
6800	Mast Assembly Complete	18	6010	Halyard Lock - Fork	16/Escape
6850	Mast Assembly Complete	18-2	6812	Halyard Lock - Hook	ALL
6900	Mast Assembly Complete	19	N505	Screw for Mast Step Hinge	15/18/18-2/19
6502	Mast Head Casting	15	N510	Washer for Mast Step Hinge	15/18/18-2/19
6002	Mast Head Casting	16/Escape	N502	Nut for Mast Step Hinge	15/18/18-2/19
6802	Mast Head Casting	18	6011	Mast Sticker with Black Band	ALL
6902	Mast Head Casting	18-2/19	6012	Electricity Warning Sticker	ALL
6803	Mast Head Sheave	15/18/18-2/19	6516	Mast Base Hinge Plate	15
6003	Mast Head Sheave	16	6816	Mast Base Hinge Plate	18/18-2/19
6004	Clevis Pin for Halyard Sheave	ALL	6815	Mast Step Hinge	ALL
6505	Mast Base Casting	15	F128	Mast Step Hinge Pin (each)	ALL
6005	Mast Base Casting	16/Escape	F116	Cotter Ring for Pins	ALL
6805	Mast Base Casting	18	7807	Gooseneck Base Fitting	15/16/18/18-2/19
6905	Mast Base Casting	18-2/19	7007	Downhaul Block	15/16/18/Escape
6804	Mast Base Sheave	15/18/18-2/19	9046	Downhaul Cheek Block	18-2/19
6006	Mast Hound	15/16/Escape	9841	Mast Rotator Wishbone	15/18/18-2/19
6806	Mast Hound	18/18-2/19	C270	Diamond Spreader Bar Replacement Kit	18/18-2/19
6807	Clam Cleat for Downhaul	15/16/18/Escape			
C613	Downhaul Swivel Cleat	18-2/19			
C620	Downhaul Swivel Cleat Assembly	18-2/19			
6007	Aluminum Cleat for Main Halyard	16/Escape			
6813	Diamond Tang - 3 Hole (bottom)	18/18-2/19			

MAST ASSEMBLY



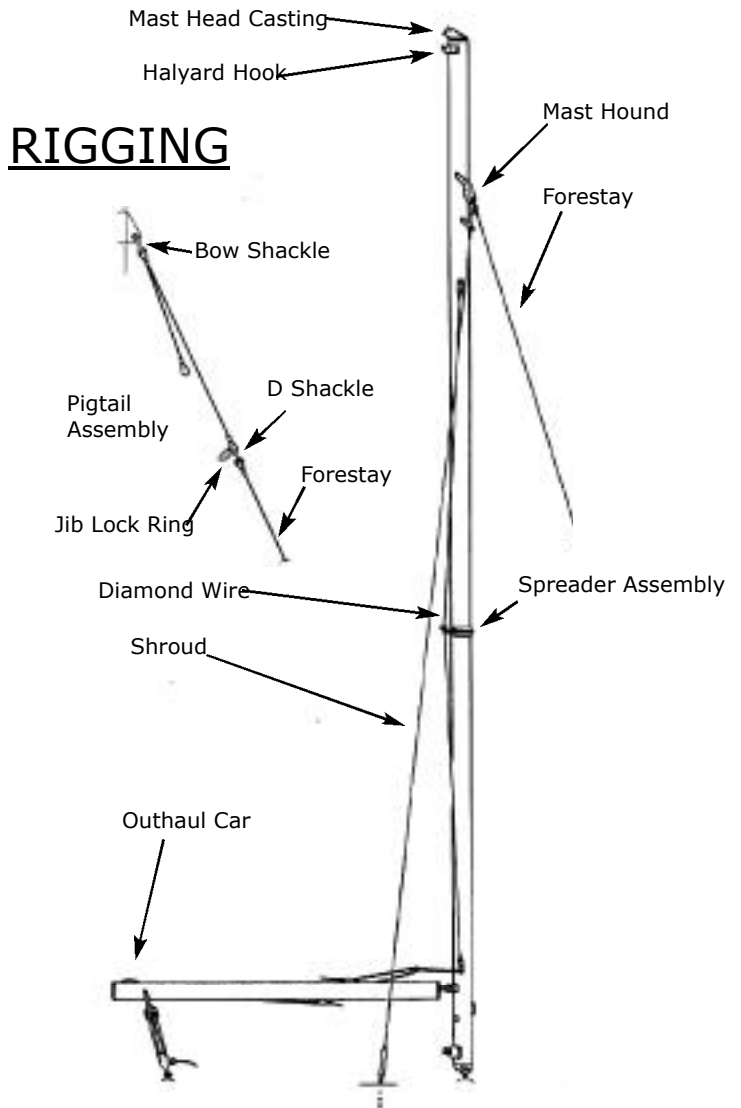
PRINDLE 19MX CONVERSION KIT

<u>P/N</u>	<u>DESCRIPTION</u>	<u>P/N</u>	<u>DESCRIPTION</u>	<u>P/N</u>	<u>DESCRIPTION</u>
2908	Vertical Pole	F188	1/4 x 1-3/4 Bolt	4524	Clevis Pins
1045	Vertical Pole Tang	F123	Nyloc Nut	9089	Lines
2907	Horizontal Pole	1044	U Bracket	9421	Tang
L216	Horizontal Pole Endcaps	9056	Strap Eye	9703	Hog Rings
4012	Clevis Pins	F108	Pop Rivet	G155	2" Heat Shrink
6004	Clevis Pins	1043	Pole Tang		* See sails section to order mainsail and jib
F116	Split Ring	1042	Beam U Bracket		

Prindle

RIGGING

<u>P/N</u>	<u>DESCRIPTION</u>	<u>MODEL</u>	<u>P/N</u>	<u>DESCRIPTION</u>	<u>MODEL</u>
9858	Bow Bridle Wire	15	9037	Shackle for Halyard Wire	16/Escape
9002	Bow Bridle Wire	16	9026	Main Halyard Wire	16
9847	Bow Bridle Wire	18	9081	Main Halyard Wire	Escape
9175	Bridle Wire for Foil	Escape	9037	Shackle for Halyard Wire, Forestay for Furler	Escape
9872	Bow Bridle Wire	18-2/19			
9415	Bridle Wire Clevis Pin (1/4" X 3/8")	18-2/19	9041	Jib Halyard Line w/Sister Clip (17'7")	16
9855	Shroud - Coated	15	9830	Jib Halyard Line w/Sister Clip (21'3")	18/18-2/19/Esc
9000	Shroud - Coated	16			
9846	Shroud - Coated	18/18-2	9005	3/16" Shackle for "S" Hook	ALL
9079	Shroud - Coated	Escape	9839	"S" Hook for Jib Halyard System	ALL
9874	Shroud - Coated	19	9849	Sister Clip	ALL
9893	Shroud Adjuster	ALL	9701	Shockcord Rope Crimps	ALL
9894	Shroud Adjuster Cover	ALL	9409	Replacement Barrel for Turnbuckle	ALL
4012	Clevis Pin - Shroud (1/4" X 3/4") standard	ALL	9410	Turnbuckle - Lower Half (includes nut)	ALL
9899	Clevis Pin - Shroud (1/4" X 1/2") small	OPTION	9411	Turnbuckle - Lower nut	ALL
9857	Forestay with Turnbuckle	15	9413	Turnbuckle - Upper nut	ALL
9039	Forestay with Turnbuckle	16			
9834	Forestay with Turnbuckle	18			
9080	Forestay with Turnbuckle	Escape			
9082	Furler Forestay	Escape			
9869	Forestay with Turnbuckle	18-2			
9875	Forestay with Turnbuckle	19			
9040	Forestay Pigtail with Ring	16			
9833	Forestay Pigtail with Ring	18			
9835	Forestay Pigtail with Ring	18-2			
9878	Forestay Pigtail with Ring	19			
9004	Shackle - 1/4" - Shroud/Forestay	ALL			
9003	Shackle - 5/16" Standard - Masthound	ALL			
9909	Large Shackle for Furler System	Escape			
9052	Furler Drum - Bottom (maximum load 950 lbs.)	Escape			
9053	Furler Swivel - Top (maximum load 950 lbs.)	Escape			
9059	Furler Line (5/32" X 14')	Escape			
9078	Ring for Pigtail - Small	Escape			
9848	Ring for Pigtail - Large	16/18/Escape/18-2/19			
9856	Trapeze Wire (single)	15			
9023	Trapeze Wire (single)	16/Escape/OPTION			
9038	Trapeze Wire (double)	16			
9823	Trapeze Wire (double)	18/18-2			
9873	Trapeze Wire (double)	19			
9854	Trapeze Height Adjuster/Rope Lock	ALL			
9853	Trapeze Ring	ALL			
9022	Trapeze Shockcord Block	15/16/18			
9837	Diamond Wire with Wheel and Turnbuckle	18/18-2			
9879	Diamond Wire with Wheel and Turnbuckle	19			
9016	Jib Bridle Wire without Hatch	16			
9017	Jib Bridle Wire with Hatch	16			
9850	Jib Bridle Wire	18			
9827	Jib Bridle Tiedown Line	16/18			
9840	Twisted Shackle (3/16") standard	15/18/18-2/19			
9891	Twisted Shackle (1/4") Large	OPTION			
9838	Main Halyard Lock Ring	15/18/18-2/19			



Prindle

MAINSAILS

<u>P/N</u>	<u>DESCRIPTION</u>	<u>MODEL</u>	<u>P/N</u>	<u>DESCRIPTION</u>	<u>MODEL</u>
8500	Mainsail	15	8917	Mainsail	19
8000	Mainsail	16	8918	Mainsail (Sails by Smyth))	19MX
8700	Mainsail	Escape	8918U	Mainsail (Ullman Sails)	19MX
8800	Mainsail	18	<i>Sails will be shipped folded, unless otherwise specified.</i>		
8281	Mainsail	18-2	<i>All sails include sailbags.</i>		

JIBSAILS

<u>P/N</u>	<u>DESCRIPTION</u>	<u>MODEL</u>	<u>P/N</u>	<u>DESCRIPTION</u>	<u>MODEL</u>
8002	Jib	16	8919	Jib (Sails by Smyth)	19MX
8702	Jib	Escape	8919U	Jib (Ullman Sails)	19MX
8802	Jib	18	<i>Sails will be shipped folded, unless otherwise specified.</i>		
8285	Jib	18-2	<i>All sails include sailbags.</i>		
8916	Jib	19			

BATTENS

<u>P/N</u>	<u>DESCRIPTION</u>	<u>MODEL</u>			
8200	Universal Batten Set	15/16/18/Escape	8010	Replacement Glass Batten	94-1/2"
8901	Batten Set	18-2/19	8907	Replacement Glass Batten	101"
8912	Batten Set (Sails by Smyth)	19MX	8902	Replacement Foam Batten	50"
8912U	Batten Set (Ullman Sails)	19MX	8903	Replacement Foam Batten	74-1/2"
8905	Replacement Glass Batten	50"	8813	Replacement Foam Batten	94"
8906	Replacement Glass Batten	74"	8904	Replacement Foam Batten	101"
<u>P/N</u>	<u>DESCRIPTION</u>	<u>MODEL</u>			

TRAMPOLINES

<u>P/N</u>	<u>DESCRIPTION</u>	<u>MODEL</u>	<u>P/N</u>	<u>DESCRIPTION</u>	<u>MODEL</u>
9859	Trampoline Black Mesh	15	9880	Trampoline Black Mesh	18-2/19
9009	Trampoline Black Mesh (w/o Hatch)	16	C250	Lace Line Replacement Kit	15/16/18/Escape
9010	Trampoline Black Mesh	16	C251	Lace Line Replacement Kit	18-2/19
9170	Trampoline Black Mesh	Escape	9892	Slug Slide	OPTION
9818	Trampoline Black Mesh	18	* All trampolines include lace line		

BRIDLE FOIL ASSEMBLY - ESCAPE

<u>P/N</u>	<u>DESCRIPTION</u>	<u>P/N</u>	<u>DESCRIPTION</u>
7851	Bridle Foil Tube	9909	Large Shackle (to Furler Drum)
7852	Bridle Foil End Cap	F122	Washer for End Cap/Wire Mount
7853	Bridle Rod/Hull Connector	F123	Nut for End Cap/Wire Mount
9175	Bridle Wire (to Furler Drum)	F124	Bolt for End Cap/Wire Mount

Prindle

BLOCKS AND LINES

<u>P/N</u>	<u>DESCRIPTION</u>	<u>USE</u>
	<u>MODEL</u>	
N904	Small Bullet Block	ALL
9034	Cheek Block (Micro)	Barberhauler/Rotator
9047	Small Bullet Block with Becket	ALL
9052	Furler Drum (maximum load 950 lbs. up to 18')	OPTION
9053	Furler Swivel (maximum load 950 lbs.)	OPTION
9054	Double Bullet Block	OPTION
9900	3" Ratchet Block	Mainsheet (6:1)
9901	2-1/4" Boom Block	Mainsheet (6:1)
9902	Jib Block with Cam	Escape
9904	Jib Ratchet Block with Cam	ALL
9907	Micro Bullet Block	ALL
9908	Jib Clew Block	ALL
9867	2-1/4"Swivel Quad	Mainsheet (8:1)
9912	3" Ratchet Block	Mainsheet (8:1)
9012	7/16" X 40' Line	Mainsheet
9870	5/16" X 10' Line	Traveller Sheet
9018	5/16" X 33' Line	Jib Sheet
9585	5.16" X 40' Line	Jib Sheet
9816	1/4" X 16' Line	Barberhauler
9831	1/4" X 18' Line	Barberhauler
9813	1/2" X 16' Line	Righting Line
9803	7/16" Line (per foot)	ALL
9802	5/16" Line (per foot)	ALL
9809	1/4" Line (per foot)	ALL
9805	3/16" Line (per foot)	ALL
9700	3/16" Shock Cord (per foot)	ALL
9702	5/16" Shock Cord (per foot)	ALL
9021	Shock Cord (3/16" X 8')	Trapeze/4-Way
9876	Shock Cord (3/16" X 8'6")	Trapeze
9189	Shock Cord (3/16" X 11')	Trapeze
9829	1/4" X 3'6"	Trapeze Line
9015	Shock Cord (3/16" X 7'6")	Jib Jam Preventor
9027	Main Halyard (26')	15/16/Escape
9581	3/16" X 62' Line	Main Halyard
9804	3/16" X 52' Line	Main Halyard
9808	5/32" Paracord (per foot)	OPTION
9650	"S" Hook	
9582	3/16" X 22' Line	Jib Halyard
9583	3/16" X 18' Line	Trampoline Lace
7580	1/4" X 3' Line	Clew Traveller
9606	3/16" X 27' Line	Downhaul
9832	3/16" X 5' Line	Jib Pigtail
9861	3/16" x 6'	Clew Pigtail/Jib Bridle
4529	1/4" X 4' Line	Rudder Pull Up/Pull Down
9817	5/32" Paracord	Trampoline Side Lace
9825	1/4" X 10' Line	Trampoline Back Lace/4Way Line
9871	1/4" x 19'	Trampoline Side and Back Lace

Prindle

SHACKLES, PINS & FASTENERS

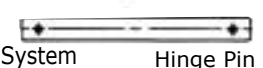
Shackles:

P/N	DESCRIPTION	USE
9003	5/16" Bow	Masthead
9004	1/4" Bow	Bridle/Trapeze Wires
9005	3/16" D	Jib System
9891	1/4" Twist	Main Halyard
9840	3/16" Twist	Main Halyard
9909	1/4" Large "D"	Furler System
9037	1/4" Large Halyard	Replacement Halyard




Bow Shackle D Shackle Twist Shackle Halyard Shackle


Cotter Pins:

P/N	DESCRIPTION	USE	Image
4013	3/32" X 3/4"	Rudder System	
F115	3/32" X 1"	Internal	
Boom/Masthead/			
F124	1/4" X 2"	Rudder Systems	
F128	Hinge Pin	Tiller Rudder Pin	
		Mast Step	

Clevis Pins:

P/N	DESCRIPTION	USE	Image
9415	1/4" X 3/8"	Bow Bridle Wire	
9899	1/4" X 1/2"	Shroud Adjuster	
4012	1/4" X 3/4"	Masthead/Shroud Adjuster	
6004	1/4" X 1"	Masthead	
6504	1/4" X 1-1/8"	Masthead	
4514	1/4" X 1-3/8"	Rudder System	
7809	1/4" X 1-1/2"	Boom Gooseneck	
4524	1/4" X 1-5/8"	Rudder Sys. Gooseneck Option	
9412	3/16" X 13/32"	4-Way/Diamond Wires	
9845	3/16" X 5/8"	Spreader Assembly	
F128	3/16" X 3-3/16"	Mast Step Hinge	
F158	1/4" X 2"	Mast Step	

RIVETS:

P/N	DESCRIPTION	USE	Image
F098	6-4 SS Self-Sealing	Universal	
F099	6-7 SS Self-Sealing	Universal	
F100	6-4 Monel	Universal	
F101	6-8 Monel	Universal	
F102	6-10 Monel	Universal	
F103	6-8 Counter Sunk	Traveller Track	
F108	6-6 Monel	Universal	

Cotter Rings:

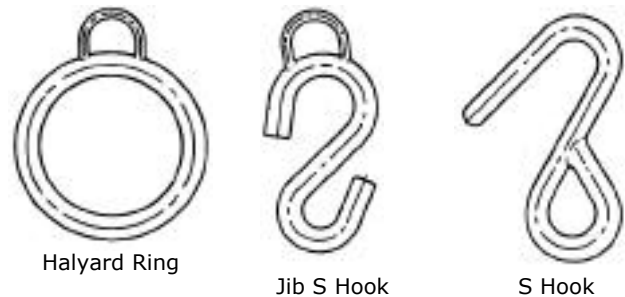
P/N	DESCRIPTION	USE	Image
F116	1/2"	Standard	
F157	7/16"	Small	

NUTS & WASHERS:

P/N	DESCRIPTION	USE
F107	5/16" Nylock Nut	Rudders/Mast Rotator/Crossbars
F132	3/8" Nylock Nut	Boom Gooseneck
F123	1/4" Nylock Nut	Tiller Connection
N502	10/32" Nylock Nut	Cam Cleat/Mast Hinge
4018	3/8" Standard Nut	Bridle Foil
9411	Right Thread Nut	Turnbuckle - Lower
9413	Left Thread Nut	Turnbuckle - Upper
F138	1/4-20 Nut	Daggerboard Stop
F119	1/4" S. S. Washer	Tiller Connection
F122	5/16" S. S. Washer	Dolphin Striker/Rudders/Crossbars
F121	1/4" Low Profile Washer	Crossbars
F129	1/4" Nylon Locknut	Low Profile
F118	Nylon Washer	Rudders
F133	3/8" Washer	Boom Gooseneck
N510	10/32" Washer	Mast Hinge

BOLTS & SCREWS:

P/N	DESCRIPTION	USE
F104	5/16" X 4-1/4" Hexcap	Outboard Front Crossbar
F105	5/16" X 5" Flat Head	Rear Crossbar
F141	5/16" X 5-3/4" Hexcap	Rear Crossbar
F142	3/8" X 4-1/4" Hexcap	Front Crossbar
F110	5/16" X 4-1/2" Hexcap	Inboard Front Crossbar
F144	10-32 X 1" FMHS	Centerboard Lock Screw
F164	5/16" X 1-1/2"	Beam Strap
F165	5/16" X 2"	Internal Beam
F117	1/4" X 1/4"	Rudder Gudgeon
F125	1/4" X 1"	Bow Plate
F131	3/8" X 1-1/2"	Boom Gooseneck
F134	#10 X 3"	Barberhauler
F135	#10 X 1-1/2"	Barberhauler
F137	#10 X 2-1/2"	Barberhauler
F145	1/4" X 3/8"	Jib Car
F146	3/8" x 5-1/2"	4.5 Rear Beam Bolts
F147	3/8" x 5"	4.5 Front Beam Bolts
N505	10/32" X 1/2"	Mast Hinge
F111	#8 X 1"	Drain Plug/Mast Cleat
F112	10-32 X 1"	Bow Tang Dolphin Striker
F120	1/4" X 2-18"	Rudder Spring Bolt
F130	#8 X 3/4"	Hatch Screw
F136	1/4-20 X 1-3/4"	Daggerboard Stop Bolt



Halyard Ring

Jib S Hook

S Hook

Prindle

SPORT LOCKER

P/N DESCRIPTION

9983 Sport Locker Complete
9993 Top - Lid Panel
9997 Back Door
F200 Selftap Screw for Mounting
F201 Large Washer for Mounting
F204 Nylon Screw (1/4-20 x 1/2")
F205 Nylon Cap Nut

P/N DESCRIPTION

F206 Nylon Screw (1/4-20 x 13/4")
9971 White Trim-lok Molding
9972 Black Trim-lok Molding
9973 Back Door Molding/Black
9974 Hasp for Front Lid
9977 Black Webbing for Backdoor

STICKERS AND LOGOS

P/N DESCRIPTION

1590 Prindle Hull Logo
1591 19 Sticker
1592 18-2 Sticker

P/N DESCRIPTION

1597 Nacra Hull Logo
1508 Nacra Number Sticker



Support Your Local Dealer

Your local Prindle dealer is there to serve you - the customer. Please take advantage of the many services that authorized Prindle dealers provide:

- *Prindle Catamaran parts and accessories*
- *Expert advice on boat rigging, repair and maintenance*
- *A direct source for catamaran accessories*
- *Contact for local Prindle Fleets.*

To find the Prindle dealer nearest you, go to www.performancecat.com

Performance Catamarans, Inc.

1800 East Borchard Avenue, Santa Ana, CA 92705-4694

(714) 835-6416, FAX (714) 541-6643 • www.performancecat.com • pcat@performancecat.com