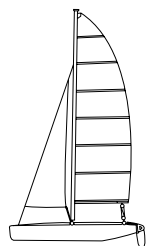
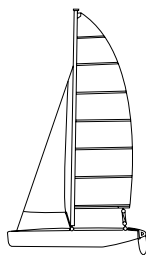


# PARTS CATALOG

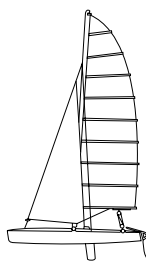
*Nacra*



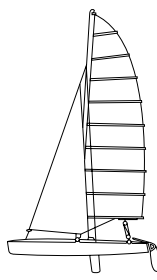
NACRA 4.5/450



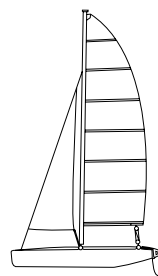
NACRA 5.0



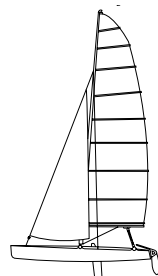
NACRA 5.2



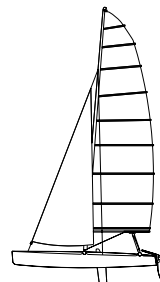
NACRA 5.5SL



NACRA 5.7

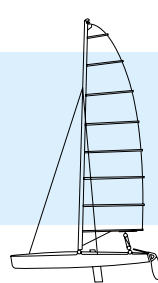


NACRA 5.8NA

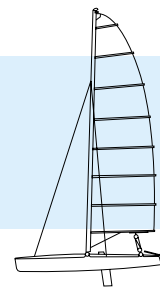


NACRA 6.0NA

**AUTHORIZED DEALER:**

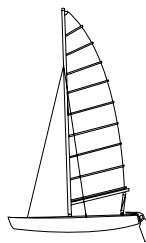


NACRA 5.5UNI

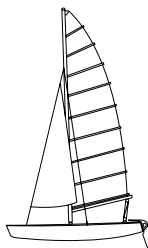


NACRA 18SQ

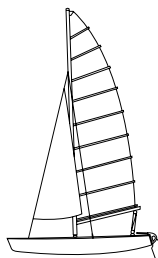
## Prindle



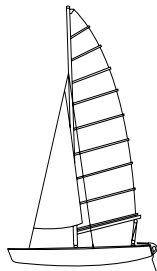
PRINDLE 15



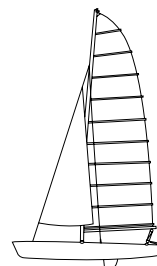
PRINDLE 16



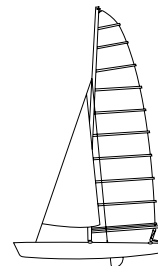
PRINDLE 18



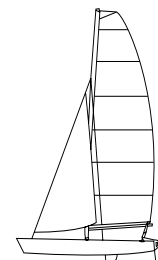
ESCAPE



PRINDLE 18-2



PRINDLE 19

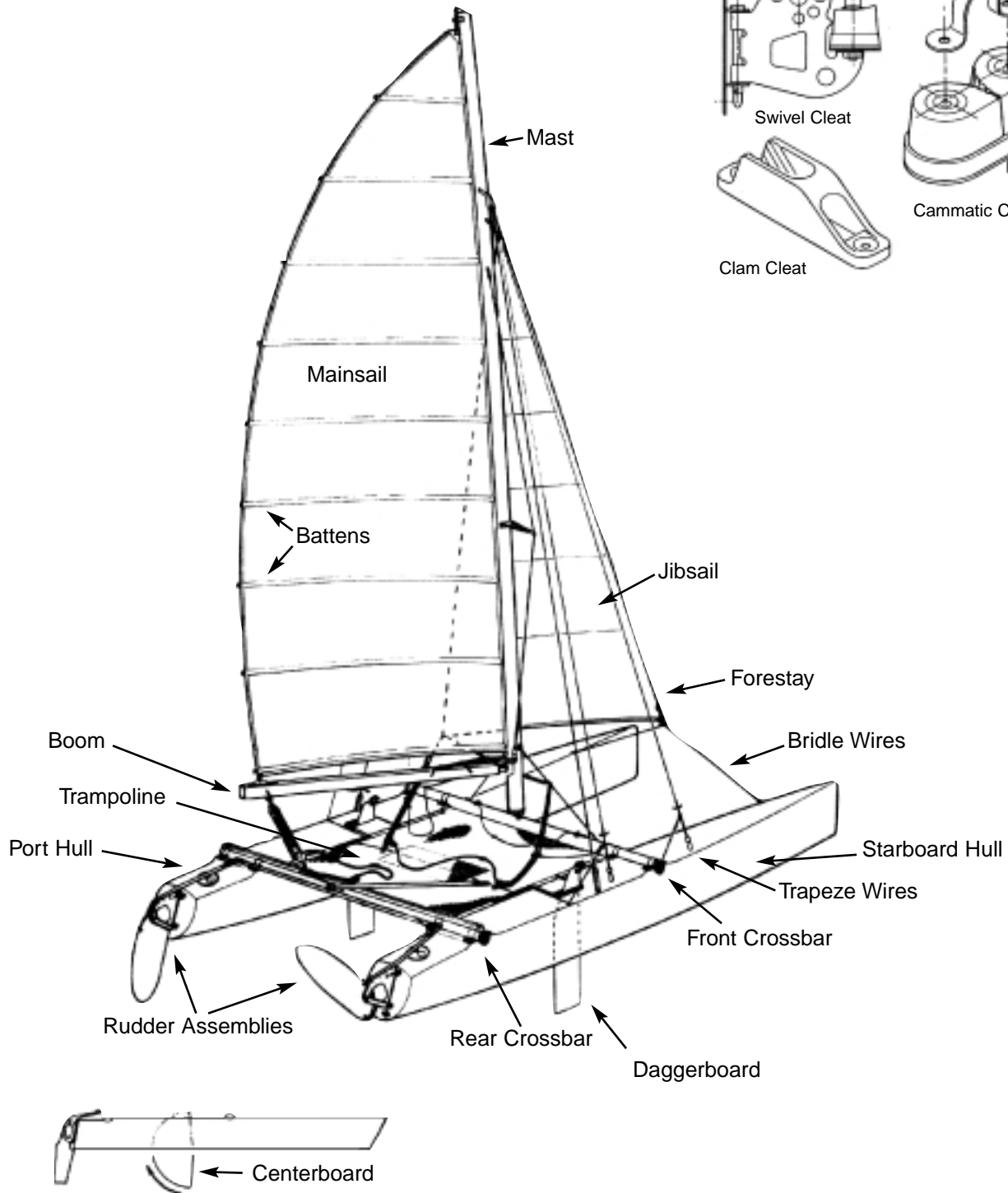


PRINDLE 19MX

## Performance Catamarans, Inc.

# BASIC CATAMARAN ILLUSTRATION

## CLEATS



Illustrations are basic and may not be representative of your particular model. If you have any questions, contact your local dealer

# TABLE OF CONTENTS

## NACRA

Hull Assembly	.1
Rear Crossbar	.1
Front Crossbar	.2
Rudder Assembly	.3
Mast Assembly	.4
Bridle Foil Assembly	.4
Rigging	.5
Mainsails	.6
Jibsails	.6
Battens and Sail Accessories	.6
Trampolines	.6

## UNIVERSAL PARTS

Spreader Assembly	.7
Boom Assembly	.7
Blocks and Lines	.8
Shackles, Pins and Fasteners	.9
Sport Locker Assembly	.10
Stripes, Stickers and Logos	.10

**TO PLACE AN ORDER,  
CONTACT YOUR  
LOCAL DEALER.**

## PRINDLE

Hull Assembly	.11
Rear Crossbar Assembly	.11
Front Crossbar Assembly	.12
Rudder and Tiller Assembly	.13
Mast Assembly	.14
Rigging	.15
Mainsails	.16
Jibsails	.16
Battens and Sail Accessories	.16
Bridle Foil Assembly - Escape	.16

## ILLUSTRATIONS

BASIC Catamaran	Inside Front Cover
Cleats	Inside Front Cover

NACRA Rear Crossbar	.1
Nacra Front Crossbar	.2
Nacra Dolphin Striker	.2
Nacra Rudder and Tiller	.3

Nacra Mast and Boom	.4
Nacra Rigging	.5
Nacra Clew Traveller	.6

UNIVERSAL Spreader Bar	.7
Shackles, Pins, Rings, Hooks	.9

PRINDLE Rear Crossbar	.11
Prindle Front Crossbar	.12
Prindle Rudder and Tiller	.13
Prindle Mast and Boom	.14
Prindle Rigging	.15

BASIC Rigging	Inside Back Cover
---------------	-------------------

# Support Your Local Dealer

Your local Nacra, Prindle and Inter dealer is there to serve you - the customer.

Please take advantage of the many services that authorized Performance Catamaran dealers provide:

- New Nacra, Prindle and Inter Catamarans fully assembled
- Nacra, Prindle and Inter Catamaran parts and accessories
- Expert advice on boat rigging, repair and maintenance
- A direct source for accessories advertised in Performance Sailor
- Contact for local Nacra, Prindle and Inter Fleets.



For more information regarding your local Nacra, Prindle and Inter dealer, please contact:

**Performance Catamarans, Inc** ■ 1800 East Borchard Avenue, Santa Ana, CA 92705-4694  
(714) 835-6416, FAX (714) 541-6643 ■ [www.performancecat.com](http://www.performancecat.com) ■ [pcat@performancecat.com](mailto:pcat@performancecat.com)



## HULL ASSEMBLY

<u>P/N</u>	<u>DESCRIPTION</u>	<u>MODEL</u>	<u>P/N</u>	<u>DESCRIPTION</u>	<u>MODEL</u>
1545	Port Hull/1546 Starboard Hull	4.5	1011	Gudgeon - Narrow	5.0/5.7/6.0
1502	Port Hull/1503 Starboard Hull	5.0	1809	Tang Cover - White	ALL
1520	Port Hull/1521 Starboard Hull	5.2	1804	2 Hole Tang RXB Stop	ALL
1553	Port Hull/1554 Starboard Hull	5.5UNI/18SQ	9905	4-Way Adjustable Plate	ALL
1550	Port Hull/1551 Starboard Hull	5.5SL	1825	4" Hatch Assembly - Black	5.0/5.2/5.5/5.7/5.8/6.0/18SQ
1570	Port Hull/1571 Starboard Hull	5.7	1835	4" Hatch Cover only	5.0/5.2/5.5/5.7/5.8/6.0/18SQ
1580	Port Hull/1581 Starboard Hull	5.8	1827	4" Hatch "O" Ring	5.0/5.2/5.5/5.7/5.8/6.0/18SQ
1602	Port Hull/1603 Starboard Hull	6.0	1824	5" Hatch Assembly (Black)	4.5
1030	Daggerboard	5.2/5.5/18SQ	1828	5" Hatch Cover only	4.5
1032	Daggerboard	5.8/6.0	1836	5" Hatch "O" Ring	4.5
1031	Daggerboard Stop	ALL	1033	Trapeze Fairlead	ALL
F136	Daggerboard Stop Bolt	ALL	1830	Trampoline Track 84"	ALL
F138	Daggerboard Stop Nut	ALL	1910	Jib Track 24"	5.5SL/5.7/5.8/6.0
1052	Daggerboard Side Loader Assembly	5.2/5.5/18SQ	1912	Jib Traveller Car	5.5SL/5.7/5.8/6.0
1058	Daggerboard Side Loader Assembly	5.8/6.0	1911	Jib Track End Stop	5.5SL/5.7/5.8/6.0
1018	Side Loader Roller	5.2/5.5/5.8/6.0/18SQ	F101	Rivet for Trampoline Track	ALL
1051	Sideloader Shockcord	5.2/5.5/5.8/6.0/18SQ	F102	Rivet for Cleat and Jib Track End Stop	5.5SL/5.8/6.0
9703	Crimps for Shockcord (large)	5.2/5.5/5.8/6.0/18SQ	F103	Rivet for Jib Track	5.5SL/5.8/6.0
1019	Strap Eye (Sideloader)	5.2/5.5/5.8/6.0/18SQ	F108	Rivet 6-6 (All Purpose)	ALL
1034	Hammock Hook (Sideloader)	5.2/5.5/5.8/6.0/18SQ	F117	1/4"-20 X 1-1/4" Bolt (Gudgeon)	ALL
1060	Rubber Tube (per foot)	ALL	F123	1/4"-20 Nylock Nut (Gudgeon)	ALL
1017	Drain Plug Assembly - Complete	ALL	C500	White Gelcoat Kit *	ALL
9036	Drain Plug Replacement	ALL	C499	Mold Release for Gelcoat (1 pint)	ALL
1005	Gudgeon - Slotted	6.0NA	9558	Owners Manual	ALL
1010	Gudgeon - Wide	5.2/5.5/5.8/18SQ	<i>*Gelcoat kits do not contain catalyst and cannot be shipped by air.</i>		

## REAR CROSSBAR ASSEMBLY

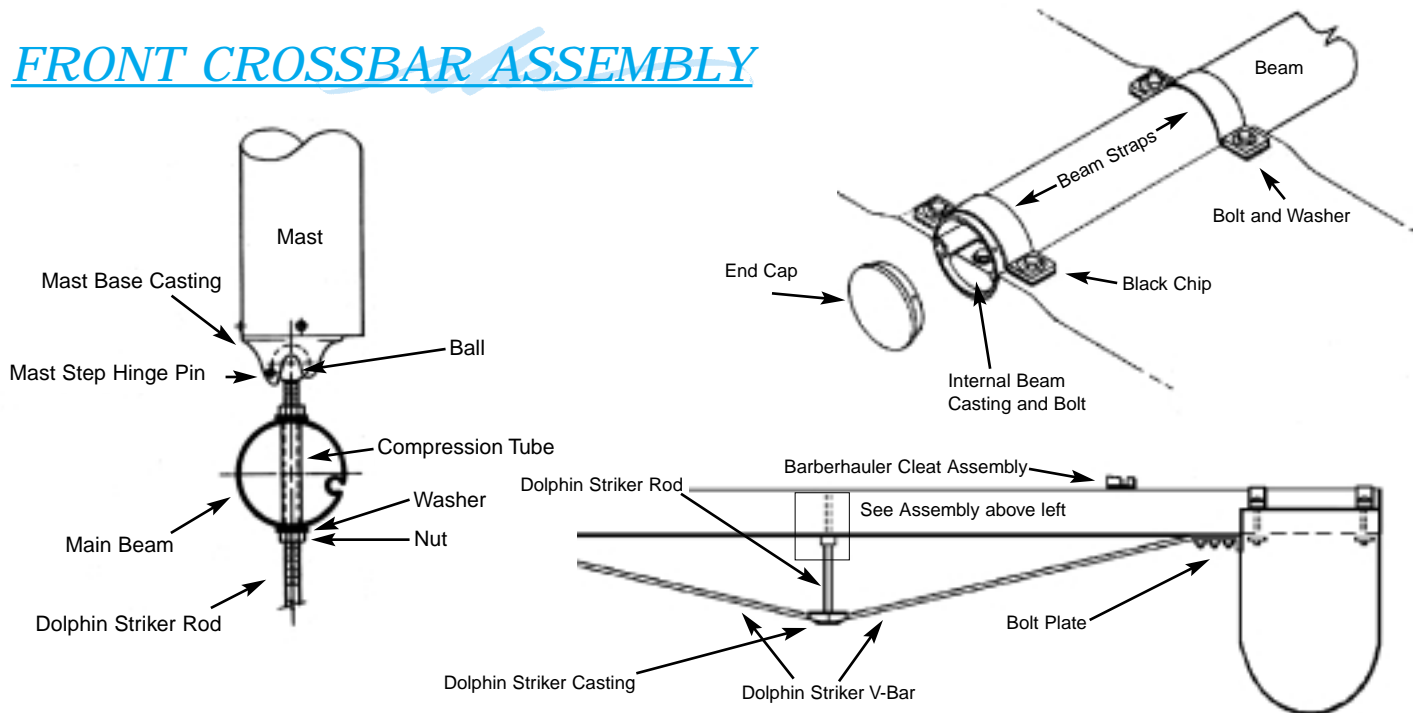
<u>P/N</u>	<u>DESCRIPTION</u>	<u>MODEL</u>	<u>P/N</u>	<u>DESCRIPTION</u>	<u>MODEL</u>
3545	Rear Crossbar Complete	4.5	F146	Rear Crossbar Bolts (3/8" x 5-1/2")	4.5
3500	Rear Crossbar Complete	5.0	9008	Grease for Crossbar Bolts	ALL
3520	Rear Crossbar Complete	5.2	N904	Bullet Block (Traveller)	ALL
3550	Rear Crossbar Complete	5.5	3508	Eye Strap (Radius)	ALL
3570	Rear Crossbar Complete	5.7	3008	Eye Strap (3/16")	ALL
3580	Rear Crossbar Complete	5.8	F100	Rivet (6-4)	ALL
3600	Rear Crossbar Complete	6.0	F101	Rivet (6-8)	ALL
3180	Rear Crossbar Complete	18SQ	F108	Rivet (6-6)	ALL
3513	Traveller Car	ALL	N502	Locknut for Cleat (10-32)	ALL
3515	Traveller Car	4.5	C262	Traveller Car Loader	ALL
3511	Traveller Track End Stop	ALL	C603	Replacement Balls for Traveller Car (20)	ALL
3503	Crossbar End Cap Plastic	ALL			
F169	Crossbar Cap Screw	ALL			
3505	Swivel Cammatic Cleat Assembly Complete	ALL			
3507	Casting (Traveller Swivel Cleat Base)	ALL			
1019	Padeye Strap for Trampoline Lace/Traveller Line	ALL			
6009	Beam Stop	ALL			
3510	Beam Straps (Rear)	5.0/5.7/6.0			
3509	Beam Straps (Rear)	5.2/5.5/5.8/18SQ			
2510	Black Chip for Beam Mounting	ALL			
F164	Bolt for Beam Mounting	ALL			
F122	Washer for Beam Mounting	ALL			



## FRONT CROSSBAR ASSEMBLY

<u>P/N</u>	<u>DESCRIPTION</u>	<u>MODEL</u>	<u>P/N</u>	<u>DESCRIPTION</u>	<u>MODEL</u>
2545	Front Crossbar Complete	4.5	F152	Washer 9/16" Dolphin Striker Rod	ALL
2546	Front Crossbar Internal Support	4.5	2508	Dolphin Striker 3-Bolt Plate	ALL
F147	Front Crossbar Bolt	4.5	F107	5/16" Nylock Nut	ALL
2500	Front Crossbar Complete	5.0	2509	Beam Strap (Front)	5.2/5.5/5.8/6.0/18SQ
2520	Front Crossbar Complete	5.2	3512	Beam Strap (Front)	6.0
2555	Front Crossbar Complete	5.5UNI	3510	Beam Strap (Front)	5.0/5.7
2550	Front Crossbar Complete	5.5SL	F164	Bolt 5/16" X 1-1/2" (For Beam Strap)	ALL
2570	Front Crossbar Complete	5.7	F122	5/16" Washer S.S. for Beam Mounting	ALL
2580	Front Crossbar Complete	5.8	2510	Black Chip for Crossbar Bolts	ALL
2610	Front Crossbar Complete	6.0	2511	Internal Beam Casting - Half Round	ALL
2180	Front Crossbar Complete	18SQ	F165	Bolt 5/16" X 2" Internal Beam	ALL
2581	Front Crossbar Internal Sleeve	5.0/5.2/5.5/5.7/5.8/6.0	F162	Washer for Internal Beam Bolts	ALL
2502	Dolphin Striker V-Bar	4.5/5.0	6012	Warning for Electricity Sticker	ALL
2522	Dolphin Striker V-Bar	5.2	9057	Bullet Block w/Swivel	5.5/5.8/6.0/18SQ
2552	Dolphin Striker V-Bar	5.5	2558	Barberhailer Base Casting - Left	5.5SL/5.8/6.0
2572	Dolphin Striker V-Bar	5.7	2559	Barberhailer Base Casting - Right	5.5SL/5.8/6.0
2582	Dolphin Striker V-Bar	5.8	9047	Bullet Block with Becket	5.5SL/5.8/6.0
2602	Dolphin Striker V-Bar	6.0	9034	Cheek Block	5.5SL/5.8/6.0
2182	Dolphin Striker V-Bar	18SQ	9045	Fairlead for Barberhailer Cleat	5.5SL/5.8/6.0
2503	Crossbar End Cap Plastic w/hole	ALL	C530	Barberhailer Kit	5.5SL/5.8/6.0
F169	Screw for Crossbar Cap	ALL	C535	Rotator Kit	5.5SL/5.8/6.0
2504	Nylon Mast Ball 1-1/2" X 9/16"	ALL	C609	Mast Hinge Retro Kit	OPTION
2505	Dolphin Striker Casting	ALL	F100	Monel Rivet (6-4) for Cleats & Eye Straps	ALL
2506	Compression Tube Dolphin Striker	ALL	F135	1-1/2" Screw for Barberhailer Cleat System	ALL
9008	Grease for Dolphin Striker Lubrication	ALL	F137	2-1/2" Screw for Barberhailer Cleat System	ALL
2507	Dolphin Striker Rod S.S. w/Thread	ALL	9004	Strap Eye (Medium)	ALL
F151	Nut 9/16" Dolphin Striker Rod	ALL			

## FRONT CROSSBAR ASSEMBLY

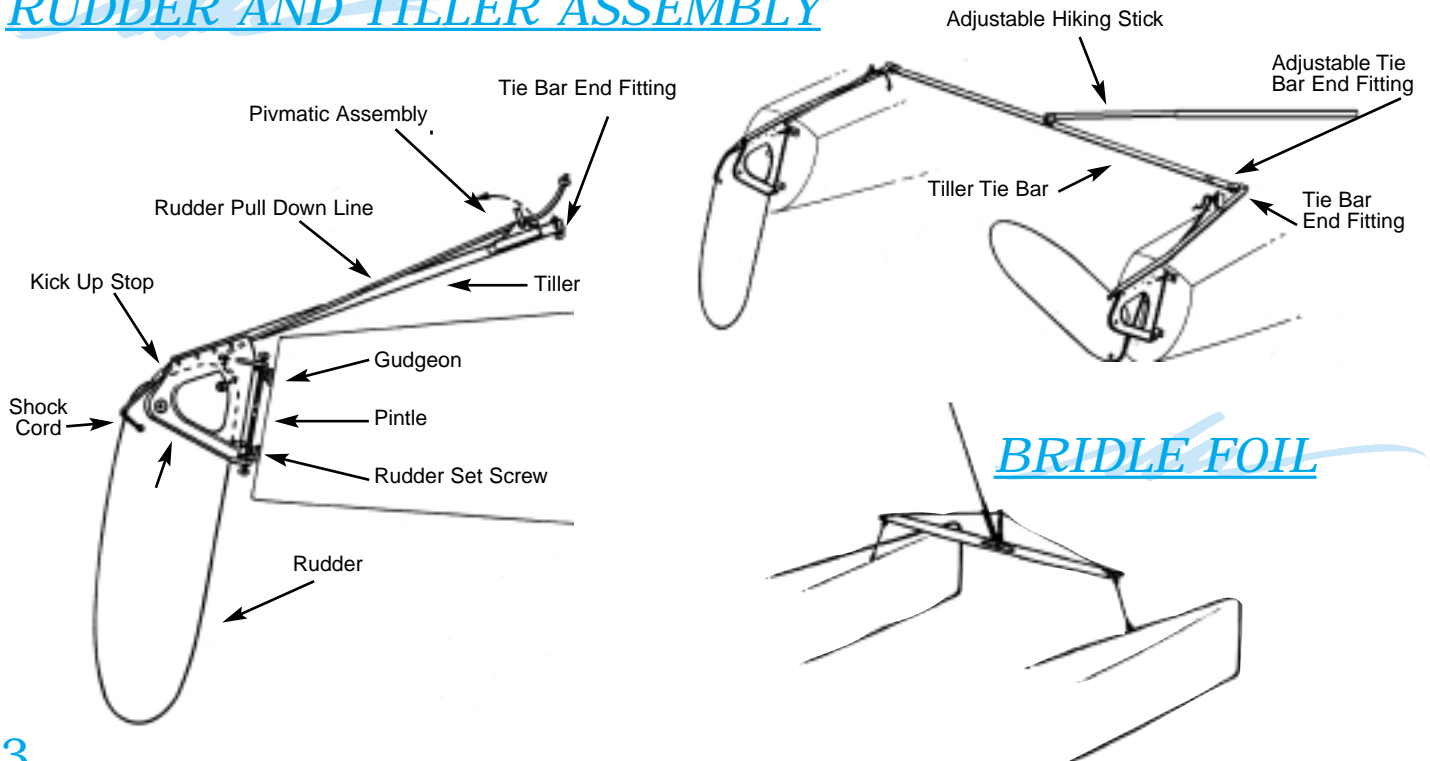




## RUDDER AND TILLER ASSEMBLY

<u>P/N</u>	<u>DESCRIPTION</u>	<u>MODEL</u>	<u>P/N</u>	<u>DESCRIPTION</u>	<u>MODEL</u>
4501	Rudder Cheek Casting	ALL	5507	Tiller Crossbar without Adjustable End Cap	18SQ
4502	Rudder Casting with Arm Left	4.5/5.0/5.7	C608	Replacement Tube for Tiller Crossbar (7 feet)	OPTION
4503	Rudder Casting with Arm Right	4.5/5.0/5.7	5508	Adjustable Tiller End Cap	ALL
4504	Rudder Casting with Arm Left	5.2/5.8	5514	Tiller Tie Bar End Fitting - Right	ALL
4505	Rudder Casting with Arm Right	5.2/5.8	5515	Tiller Tie Bar End Fitting - Left	ALL
4506	Rudder Casting with Arm Left	5.5/18SQ	5516	Tiller Tie Bar End Connector Kit	ALL
4507	Rudder Casting with Arm Right	5.5/18SQ	5801	Aluminum Hiking Stick	4.5
4508	Rudder Casting with Arm Left	6.0	5802	Extendible Hiking Stick (Black)	ALL
4509	Rudder Casting with Arm Right	6.0	5806	Extendible Hiking Stick	18SQ
4510	Pivmatic Assembly Complete with Pin	ALL	4520	Rudder Blade	4.5
4514	Clevis Pin for Pivmatic 1-3/8"	ALL	4528	Rudder Blade (Short)	5.2/5.5/5.8/6.0/18SQ
4515	Rudder Bushing (in Blade)	ALL	4517	Rudder Blade (Long)	5.0/5.7
4516	2" Plastic Spacer/Washer	OPTION	5550	Tiller Arm with Angle 28"	4.5/5.0/5.7
4518	Rudder Kick-up Stop	ALL	5551	Tiller Arm with Angle 31"	5.2/5.8
4519	Delrin Rudder Set Screw	4.5/5.0/5.7	5552	Tiller Arm with Angle 27"	5.5/18SQ
4522	Rudder Pintle Stainless Steel (without rings)	ALL	5553	Tiller Arm with Angle 34-1/2"	6.0
4524	Clevis Pin for Rudder Casting (1/4" X 1-3/4")	ALL	C605	Tiller Arm Straight 31"	OPTION
4523	Replacement Shockcord (5 feet)	ALL	F100	Rivet Monel 6-4	ALL
4529	Replacement Pull Down Line (4 feet)	ALL	F107	Nylock Nut 5/16" for Rudder Pivot Bolt	ALL
9703	Crimp for Shockcord	ALL	F108	Rivet for Rudder Arm	ALL
5501	Tiller Crossbar without Adjustable End Cap	4.5/5.0/5.2/5.7	F116	Cotter Ring for Pintle and Pivmatic	ALL
5503	Tiller Crossbar without Adjustable End Cap	5.5	F122	Stainless Steel Washer 5/16" for Rudder Bolt	ALL
5505	Tiller Crossbar without Adjustable End Cap	5.8	F165	Stainless Steel Bolt 5/16" for Rudder Pivot	ALL
5603	Tiller Crossbar without Adjustable End Cap	6.0	C281	Yoke Assembly for Hiking Stick	ALL

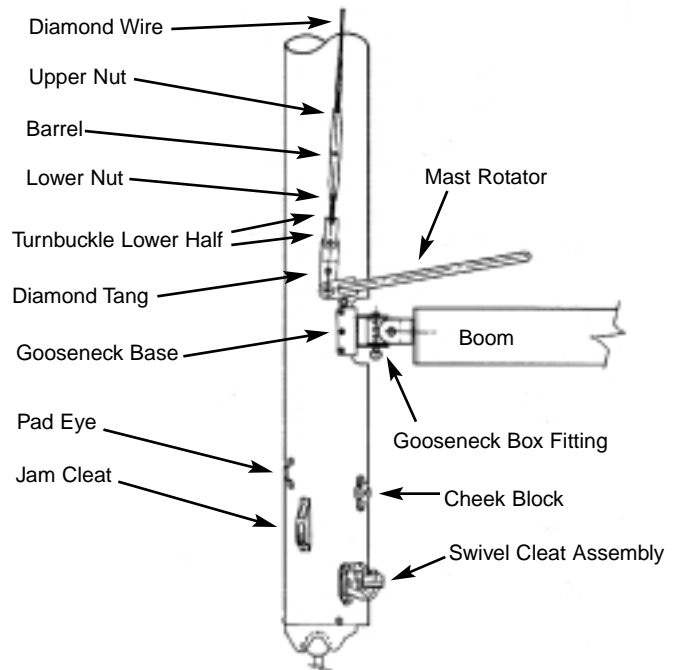
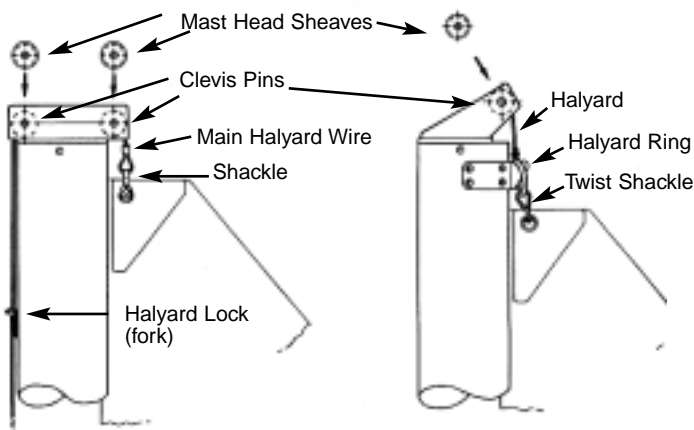
## RUDDER AND TILLER ASSEMBLY



## MAST ASSEMBLY

<u>P/N</u>	<u>DESCRIPTION</u>	<u>MODEL</u>	<u>P/N</u>	<u>DESCRIPTION</u>	<u>MODEL</u>
6450	Mast Complete	4.5	9841	Mast Rotator Wishbone	5.2
6550	Mast Complete	5.0	9866	Over Rotator	5.5/5.8/6.0
6520	Mast Complete	5.2	6529	Internal Mast Rotator Compression Tube	ALL
6560	Mast Complete	5.5SL/5.7	6012	Electrocution Warning Sticker	ALL
6580	Mast Complete	5.8	6817	4 Hole Diamond Tang	ALL
6600	Mast Complete	6.0	6814	Diamond Spreader Base	ALL
6180	Mast Complete	5.5UNI/18SQ	6530	Halyard Shockcord Snap Assembly	4.5/5.0/5.2/5.7
6603	Mast Complete	6.0NA	6807	Aluminum Cleat for Downhaul	5.0/5.2/5.7
6003	Masthead Sheave	5.0/5.2/5.5/5.7/5.8/6.0/18SQ	9046	Downhaul Cheek Block	ALL
6503	Masthead Sheave	4.5	F098	6-7 Sealing Rivets	ALL
4012	Clevis Pin for Sheave	5.0/5.2/5.5/5.7/5.8/6.0/18SQ	F099	6-4 Sealing Rivets	ALL
6504	Clevis Pin for Sheave	4.5	F154	Bolt H.H. Stainless Steel 5/16" (Mast Rotator)	ALL
6552	Masthead Casting	4.5	F107	Nylock Nut 5/16" (Mast Rotator)	ALL
6602	Masthead Casting	5.0/5.2/5.5/5.7/5.8/6.0/18SQ	F116	Cotter Ring for Clevis and Hinge Pin	ALL
6605	Mast Base Casting	ALL	F158	Mast Step Hinge Pin	ALL
6606	Mast Hound	ALL	C620	Downhaul Swivel Cleat Assembly	5.5/5.8/6.0
6607	Jib Halyard Tang	OPTION	C613	Small Downhaul Swivel Cleat	ALL
1019	Small Strap Eye	ALL			
6812	Main Halyard Lock (Hook)	ALL			
7527	Gooseneck Base Plate	5.2			

## MAST ASSEMBLY

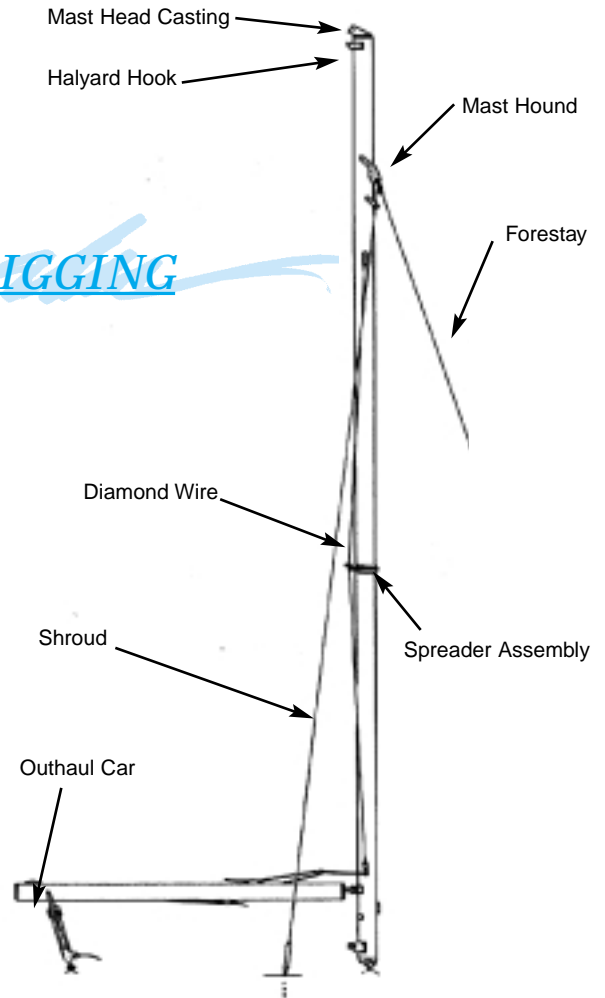


## BRIDLE FOIL ASSEMBLY

<u>P/N</u>	<u>DESCRIPTION</u>	<u>MODEL</u>	<u>P/N</u>	<u>DESCRIPTION</u>	<u>MODEL</u>
9670	Bridle Foil Assembly Complete	5.5SL	9415	Clevis Pin for Rod Ends	ALL
9658	Bridle Foil Assembly Complete	5.8NA	9662	Black End Cap - Foil Assembly	ALL
9660	Bridle Foil Assembly Complete	6.0	9663	Center Post Bridle Foil	ALL
9668	Bridle Foil Assembly Complete	6.0NA	9667	Tang for Foil Attachment	ALL
9669	Bridle Foil Rod with Adjuster Screw	5.8NA/6.0NA	9673	Bridle Foil Wire (to hull)	5.5SL
9665	Bridle Foil Rod with Screw	6.0	9899	Clevis Pin	ALL
9666	Bridle Foil Rod with Screw	5.5SL	F100	Rivet (6-4)	ALL
9073	Bridle Foil Wire (to hull)	6.0	F116	Cotter Ring for Clevis Pin	ALL
9893	Foil Adjuster (to hull)	5.8NA/6.0		See illustration previous page	
4018	Jam Nut for Adjuster Screw	ALL			

## RIGGING

<u>P/N</u>	<u>DESCRIPTION</u>	<u>MODEL</u>	<u>P/N</u>	<u>DESCRIPTION</u>	<u>MODEL</u>
9455	Shroud (coated)	4.5	9549	Diamond Wire	5.5U/18SQ
9536	Shroud (coated)	5.0/5.2	9067	Diamond Wire (short)	6.0NA
9545	Shroud (coated)	5.5SL/5.7	9068	Diamond Wire (long)	6.0NA
9548	Shroud (coated)	18SQ	C270	Diamond Spreader Bar Replacement Kit	ALL
9552	Shroud (coated)	5.5UNI	C271	Spreader Bar Kit	6.0NA
9515	Shroud (coated)	5.8	9893	Shroud Adjuster	ALL
9519	Shroud (coated)	6.0	4012	Clevis Pin Shroud 1/4" X 3/4"	ALL
9071	Shroud (coated)	6.0NA	9899	Clevis Pin Shroud 1/4" X 1/2"	ALL
9456	Forestay	4.5	9890	Jib Tack Hanger	ALL
9535	Forestay	5.0	9004	Shackle Trapeze 1/4"	ALL
9534	Forestay	5.2	9003	Shackle 5/16"	ALL
9672	Forestay	5.5SL	9894	Shroud Adjuster Cover	ALL
9544	Forestay	5.7	9854	Trapeze Height Adjuster	ALL
9512	Forestay	5.8	9853	Trapeze Ring	ALL
9504	Forestay	5.8NA	9409	Barrel for Turnbuckle	ALL
9509	Forestay	6.0	9410	Turnbuckle - Lower Half with Nut	ALL
9063	Forestay	6.0NA	9411	Turnbuckle Nut - Lower	ALL
9550	Forestay/Bridle Assembly	5.5UNI	9413	Turnbuckle Nut - Upper	ALL
9553	Forestay/Bridle Assembly	18SQ	9891	Twist Shackle (1/4")	ALL
9554	4-Way Cross Wire	5.5SL	9840	Twist Shackle (3/16")	OPTION
9654	4-Way Cross Wire	6.0			
9459	Bridle Wire	4.5			
9532	Bridle Wire	5.0			
9531	Bridle Wire	5.2			
9543	Bridle Wire	5.7			
9511	Bridle Wire	5.8			
9457	Trapeze Wire (double)	4.5			
9538	Trapeze Wire (double)	5.0			
9537	Trapeze Wire (double)	5.2			
9504	Trapeze Wire	5.5UNI			
9514	Trapeze Wire (double)	5.5SL/5.7			
9522	Trapeze Wire (double)	5.8			
9520	Trapeze Wire (double)	6.0			
9072	Trapeze Wire (double)	6.0NA			
9547	Trapeze Wire	18SQ			
9458	Main Wire Halyard	4.5			
9540	Main Wire Halyard	5.0/5.2			
9541	Main Wire Halyard	5.7			
9581	Main Halyard Line (61 feet)	5.5/5.8/6.0/18SQ			
9838	Main Halyard Lock Ring	ALL			
9804	Main Halyard Line (52 feet)	4.5/5.0/5.2/5.7			
9027	Main Halyard Line (28 feet)	4.5/5.0/5.2/5.7			
C950	Jib Halyard Wire	5.0			
C952	Jib Halyard Wire	5.2			
C955	Jib Halyard Wire	5.5SL			
C957	Jib Halyard Wire	5.7			
C958	Jib Halyard Wire	5.8/6.0			
9525	Jib Halyard with Block	6.0NA			
9896	Wire Block for Jib Halyard	ALL			
9533	Jib Lead Wire (Between Crossbars)	5.2			
9530	Diamond Wire	5.0			
9523	Diamond Wire	5.2			
9542	Diamond Wire	5.5SL/5.7			
9513	Diamond Wire	5.8/6.0			







## MAINSAILS

<u>P/N</u>	<u>DESCRIPTION</u>	<u>MODEL</u>	<u>P/N</u>	<u>DESCRIPTION</u>	<u>MODEL</u>
8450	Mainsail	4.5	8589	Mainsail with Clew Traveller Assembly	5.8/5.8NA
8505	Mainsail	5.0	8603	Mainsail with Clew Traveller Assembly	6.0
8521	Mainsail	5.2	8189	Mainsail with Clew Traveller Assembly	18SQ
8559	Mainsail with Clew Traveller Assembly	5.5UNI	8590	Mainsail with Clew Traveller Assembly	6.0NA
8569	Mainsail with Clew Traveller Assembly	5.5SL	Sails will be shipped folded, unless otherwise specified.		
8579	Mainsail with Clew Traveller Assembly	5.7	All sails include sailbags.		

## JIBSAILS

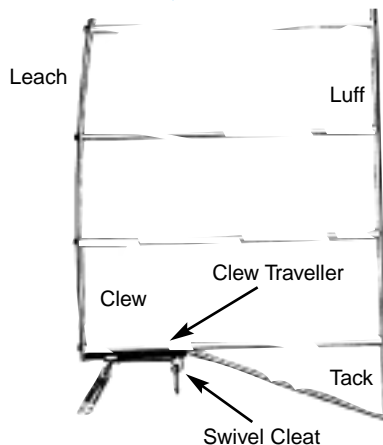
<u>P/N</u>	<u>DESCRIPTION</u>	<u>MODEL</u>	<u>P/N</u>	<u>DESCRIPTION</u>	<u>MODEL</u>
8452	Jib	4.5	8580	Jib	5.8NA
8506	Jib	5.0	C58N	Jib Conversion Kit	5.8
8502	Jib	5.0/5.2	8614	Jib	6.0
8562	Jib	5.5SL	8615	Jib	6.0NA
8572	Jib	5.7	Sails will be shipped folded, unless otherwise specified. All sails include sailbags.		
8582	Jib	5.8			

## BATTENS AND SAIL ACCESSORIES

<u>P/N</u>	<u>DESCRIPTION</u>	<u>MODEL</u>	<u>P/N</u>	<u>DESCRIPTION</u>	<u>MODEL</u>
8200	Universal Batten Set	ALL	8813	Replacement Race Batten	94"
8451	Batten Set	4.5	8904	Replacement Race Batten	101"
8564	Race Batten Set - Mylar	5.5/5.7/5.8	8610	Clew Traveller Assembly**	ALL
8557	Glass Batten Set	18SQ	8612	Clew Traveller End Stop (large)	ALL
8578	Race Batten Set - Mylar	6.0NA	3511	Clew Traveller End Stop (small)	ALL
8905	Replacement Glass Batten	50"	2622	Clew Traveller Car	ALL
8906	Replacement Glass Batten	74"	F155	Screw for Clew Traveller Track	ALL
8010	Replacement Glass Batten	94-1/2"	F111	Screw for Clew Traveller End Stops	ALL
8902	Replacement Race Batten	50"	C613	Small Swivel Exit Block	ALL
8903	Replacement Race Batten	74-1/2"	F100	Rivet for Clew Track	ALL

\*\* See Illustration below

## CLEW TRAVELLER



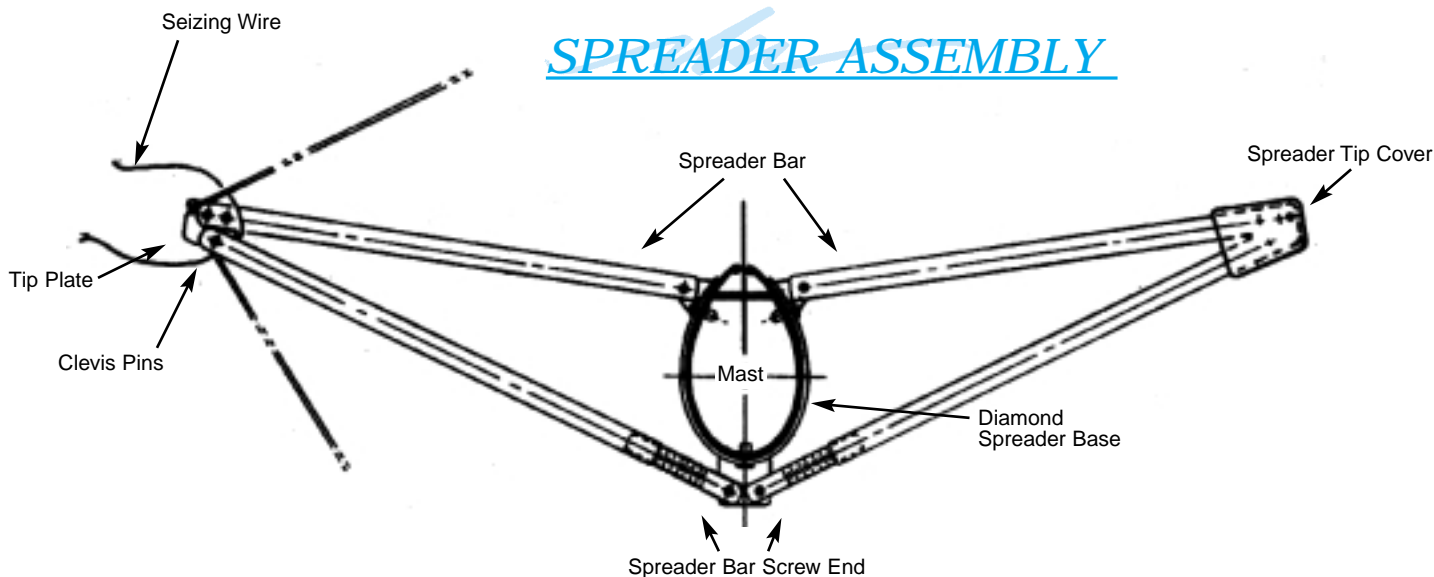
## TRAMPOLINES

<u>P/N</u>	<u>DESCRIPTION</u>	<u>MODEL</u>
9450	Trampoline (includes Lace Line Kit)	4.5
9507	Trampoline (includes Lace Line Kit)	5.0
9527	Trampoline (includes Lace Line Kit)	5.2
9557	Trampoline (includes Lace Line Kit)	5.5UNI
9567	Trampoline (includes Lace Line Kit)	5.5SL
9577	Trampoline (includes Lace Line Kit)	5.7
9587	Trampoline (includes Lace Line Kit)	5.8
9607	Trampoline (includes Lace Line Kit)	6.0EURO
9610	Trampoline (includes Lace Line Kit)	6.0NA
9187	Trampoline (includes Lace Line Kit)	18SQ
9568	Trampoline Tie Tube (76")	5.5SL/5.5UNI
9583	Lace Line (3/16" X 13')	ALL
9568	Replacement Tramp Tie Tube (76")	ALL

# Universal Parts

## SPREADER ASSEMBLY ALL NACRAS AND PRINDLES 18/18-2/19

<u>P/N</u>	<u>DESCRIPTION</u>	<u>MODEL</u>	<u>P/N</u>	<u>DESCRIPTION</u>	<u>MODEL</u>
C270	Spreader Bar Replacement Kit		9851	Forward Spreader Bar Screw	
C271	Spreader Bar Replacement Kit	6.0NA	9862	Spreader Tip Cover	
9842	Spreader Tip Plate		9866	S/S Spreader Tip Plate	6.0NA
9843	Aft Spreader Bar (long)		9506	Seizing Wire	
9844	Forward Spreader Bar (threaded)		F098	6-4 Self Sealing Rivets	
9845	3/16" X 5/8" Clevis Pin		F116	Split Ring (medium)	
9412	Clevis Pin		9920	6.0NA Spreader Bar (3-hole)	



## BOOM ASSEMBLY

<u>P/N</u>	<u>DESCRIPTION</u>	<u>MODEL</u>	<u>P/N</u>	<u>DESCRIPTION</u>	<u>MODEL</u>
7500	Boom Assembly	15	7011	Outhaul Line (Internal)	5.2 ALL
7000	Boom Assembly	16	7012	Outhaul Shockcord (Internal)	5.2 ALL
7800	Boom Assembly	18	9906	Outhaul Block (Internal)	5.2 ALL
7900	Boom Assembly	18-2/19	7808	Gooseneck Box Fitting	5.2 ALL
7520	Boom Assembly	5.2	7809	Gooseneck Clevis Pin (1/4" X 1-1/2")	5.2 ALL
7902	Front End Cap	5.2	7810	Gooseneck "U" Bracket	5.2 ALL
7903	Rear End Cap	5.2	9412	Clevis Pin - Outhaul (3/16" X 1/2")	5.2 ALL
7004	Boom Bale	5.2	F116	Cotter Ring	5.2 ALL
6807	Aluminum Cleat	5.2	F131	Gooseneck Bolt	5.2 ALL
7907	Outhaul Car (Internal)	5.2	F132	Gooseneck Locknut	5.2 ALL
7906	Outhaul Car Bearings (Internal)	5.2	F133	Gooseneck Washer	5.2 ALL
7909	Outhaul Car Wheel (Internal)	5.2	7001	Boom Extrusion w/Slot	15/16/Escape
7908	Outhaul Sheave (Internal)	5.2	7904	Boom Extrusion w/Slot	18-2/19
4009	Roller (Internal)	5.2	7521	Boom Extrusion w/Slot	5.2

# Universal Parts

## BLOCKS AND LINES

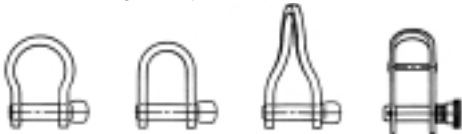
<u>P/N</u>	<u>DESCRIPTION</u>	<u>USE</u>	<u>NACRA</u>	<u>PRINDLE</u>
N904	Small Bullet Block		ALL	ALL
9034	Cheek Block (Micro)	Barberhauler/Rotator	ALL	ALL
9047	Small Bullet Block with Becket		ALL	ALL
9052	Furler Drum (maximum load 950 lbs. up to 18')		OPTION	
9053	Furler Swivel (maximum load 950 lbs.)			OPTION Escape
9054	Double Bullet Block	OPTION	ALL	ALL
9057	Bullet Block with Swivel		5.5SL/5.8	
9900	3" Ratchet Block	Mainsheet (6:1)	5.0	15/16/Escape
9901	2-1/4" Boom Block	Mainsheet (6:1)	5.0	15/16/Escape
9902	Jib Block with Cam		5.0	Escape
9904	Jib Ratchet Block with Cam		ALL	ALL
9907	Micro Bullet Block		ALL	ALL
9908	Jib Clew Block		ALL	ALL
9867	2-1/4"Swivel Quad	Mainsheet (8:1)	ALL	18/18-2/19
9912	3" Ratchet Block	Mainsheet (8:1)	ALL	18/18-2/19
9012	7/16" X 40' Line	Mainsheet	ALL	ALL
9870	5/16" X 10' Line	Traveller Sheet	ALL	ALL
9018	5/16" X 33' Line	Jib Sheet	5.2/5.5SL	ALL
9585	5.16" X 40' Line	Jib Sheet	5.0/5.7/5.8/6.0	
9816	1/4" X 16' Line	Barberhauler	5.5SL/5.8/6.0	16/18
9831	1/4" X 18' Line	Barberhauler		18-2/19
9813	1/2" X 16' Line	Righting Line	ALL	ALL
9803	7/16" Line (per foot)		ALL	ALL
9802	5/16" Line (per foot)		ALL	ALL
9809	1/4" Line (per foot)		ALL	ALL
9805	3/16" Line (per foot)		ALL	ALL
9700	3/16" Shock Cord (per foot)		ALL	ALL
9702	5/16" Shock Cord (per foot)		ALL	ALL
9021	Shock Cord (3/16" X 8')	Trapeze/4-Way	5.5SL/5.7/5.8/6.0	ALL
9876	Shock Cord (3/16" X 8'6")	Trapeze	ALL	18-2/19
9189	Shock Cord (3/16" X 11')	Trapeze	18SQ	
9829	1/4" X 3'6"	Trapeze Line	ALL	ALL
9015	Shock Cord (3/16" X 7'6" )	Jib Jam Preventor	ALL	ALL
9027	Main Halyard (26')		4.5/5.0/5.2	15/16/Escape
9581	3/16" X 62' Line	Main Halyard	5.8/6.0/18SQ	19
9804	3/16" X 52' Line	Main Halyard	5.0/5.2	15/16/Escape
9808	5/32" Paracord (per foot)		OPTION	15/16/18/Escape
9650	"S" Hook		ALL	
9582	3/16" X 22' Line	Jib Halyard	5.0/5.2/5.7/5.8/6.0	
9583	3/16" X 18' Line	Trampoline Lace	ALL	18-2/19
7580	1/4" X 3' Line	Clew Traveller	ALL	
9606	3/16" X 27' Line	Downhaul	5.5/6.0/18SQ	
9832	3/16" X 5' Line	Jib Pigtail	5.0/5.2/5.7/5.8/6.0	
9861	3/16" x 6'	Clew Pigtail/Jib Bridle	ALL	ALL
4529	1/4" X 4' Line	Rudder Pull Up/Pull Down		ALL
9817	5/32" Paracord	Trampoline Side Lace		15/16/18/Escape
9825	1/4" X 10' Line	Trampoline Back Lace/4Way Line	5.5SL/5.7/5.8/6.0	15/16/18/Escape
9871	1/4" x 19'	Trampoline Side and Back Lace		18-2/19

# Universal Parts

## SHACKLES, PINS & FASTENERS

### SHACKLES:

P/N	DESCRIPTION	USE
9003	5/16" Bow	Masthead
9004	1/4" Bow	Bridge/Trapeze Wires
9005	3/16" D	Jib System
9891	1/4" Twist	Main Halyard
9840	3/16" Twist	Main Halyard
9909	1/4" Large "D"	Furler System
9037	1/4" Large Halyard	Replacement Halyard



Bow Shackle D Shackle Twist Shackle Halyard Shackle

### COTTER PINS:

P/N	DESCRIPTION	USE
4013	3/32" X 3/4"	Rudder System Hinge Pin
F115	3/32" X 1"	Internal Boom/Masthead/ Rudder Systems
F124	1/4" X 2"	Tiller Rudder Pin
F128	Hinge Pin	Mast Step



### CLEVIS PINS:

P/N	DESCRIPTION	USE
9415	1/4" X 3/8"	Bow Bridle Wire
9899	1/4" X 1/2"	Shroud Adjuster
4012	1/4" X 3/4"	Masthead/Shroud Adjuster
6004	1/4" X 1"	Masthead
6504	1/4" X 1-1/8"	Masthead
4514	1/4" X 1-3/8"	Rudder System
7809	1/4" X 1-1/2"	Boom Gooseneck
4524	1/4" X 1-5/8"	Rudder Sys. Gooseneck Option
9412	3/16" X 13/32"	4-Way/Diamond Wires
9845	3/16" X 5/8"	Spreader Assembly
F128	3/16" X 3-3/16"	Mast Step Hinge
F158	1/4" X 2"	Mast Step



### RIVETS:

P/N	DESCRIPTION	USE
F098	6-4 SS Self-Sealing	Universal
F099	6-7 SS Self-Sealing	Universal
F100	6-4 Monel	Universal
F101	6-8 Monel	Universal
F102	6-10 Monel	Universal
F103	6-8 Counter Sunk	Traveller Track
F108	6-6 Monel	Universal



### COTTER RINGS:

P/N	DESCRIPTION	USE
F116	1/2"	Standard
F157	7/16"	Small



### NUTS & WASHERS:

P/N	DESCRIPTION	USE
F107	5/16" Nylock Nut	Rudders/Mast Rotator/Crossbars
F132	3/8" Nylock Nut	Boom Gooseneck
F123	1/4" Nylock Nut	Tiller Connection
N502	10/32" Nylock Nut	Cam Cleat/Mast Hinge
4018	3/8" Standard Nut	Bridge Foil
9411	Right Thread Nut	Turnbuckle - Lower
9413	Left Thread Nut	Turnbuckle - Upper
F138	1/4-20 Nut	Daggerboard Stop
F119	1/4" S. S. Washer	Tiller Connection
F122	5/16" S. S. Washer	Dolphin Striker/Rudders/Crossbars
F121	1/4" Low Profile Washer	Crossbars
F129	1/4" Nylon Locknut	Low Profile
F118	Nylon Washer	Rudders
F133	3/8" Washer	Boom Gooseneck
N510	10/32" Washer	Mast Hinge

### BOLTS & SCREWS:

P/N	DESCRIPTION	USE
F104	5/16" X 4-1/4" Hexcap	Outboard Front Crossbar
F105	5/16" X 5" Flat Head	Rear Crossbar
F141	5/16" X 5-3/4" Hexcap	Rear Crossbar
F142	3/8" X 4-1/4" Hexcap	Front Crossbar
F110	5/16" X 4-1/2" Hexcap	Inboard Front Crossbar
F144	10-32 X 1" FMHS	Centerboard Lock Screw
F164	5/16" X 1-1/2"	Beam Strap
F165	5/16" X 2"	Internal Beam
F117	1/4" X 1/4"	Rudder Gudgeon
F125	1/4" X 1"	Bow Plate
F131	3/8" X 1-1/2"	Boom Gooseneck
F134	#10 X 3"	Barberhauler
F135	#10 X 1-1/2"	Barberhauler
F137	#10 X 2-1/2"	Barberhauler
F145	1/4" X 3/8"	Jib Car
F146	3/8" x 5-1/2"	4.5 Rear Beam Bolts
F147	3/8" x 5"	4.5 Front Beam Bolts
N505	10/32" X 1/2"	Mast Hinge
F111	#8 X 1"	Drain Plug/Mast Cleat
F112	10-32 X 1"	Bow Tang Dolphin Striker
F120	1/4" X 2-18"	Rudder Spring Bolt
F130	#8 X 3/4"	Hatch Screw
F136	1/4-20 X 1-3/4"	Daggerboard Stop Bolt



Halyard Ring

Jib S Hook

S Hook

# Universal Parts

## SPORT LOCKER ASSEMBLY

### P/N DESCRIPTION

9983 Sport Locker Complete  
9993 Top - Lid Panel  
9997 Back Door  
F200 Selftap Screw for Mounting  
F201 Large Washer for Mounting  
F204 Nylon Screw (1/4-20 x 1/2")  
F205 Nylon Cap Nut

### P/N DESCRIPTION

F206 Nylon Screw (1/4-20 x 13/4")  
9971 White Trim-lok Molding  
9972 Black Trim-lok Molding  
9973 Back Door Molding/Black  
9974 Hasp for Front Lid  
9977 Black Webbing for Backdoor

## STICKERS AND LOGOS

### P/N DESCRIPTION

1590 Prindle Hull Logo  
1591 19 Sticker  
1592 18-2 Sticker

### P/N DESCRIPTION

1597 Nacra Hull Logo  
1508 Nacra Number Sticker

# Join the Class!

The INTER CLASS ASSOCIATION is the newest class to join our family. With the INTER 18 making a big splash worldwide and the introduction of the INTER 20 in 1998, we're sure to be the fastest growing association ever! Watch for the new Inter 17 fleets growing near you!

Whether you want to compete against world caliber sailors in the strong NACRA racing program or enjoy the camaraderie of casual fleet cruises, the INTERNATIONAL NACRA CLASS ASSOCIATION caters to all types and levels of sailors.

# Prindle

The active class program for both racers and recreational sailors, the PRINDLE CLASS ASSOCIATION activities consist of competitive one-design racing, social activities, tuning clinics, casual cruises and family outings.



# Prindle

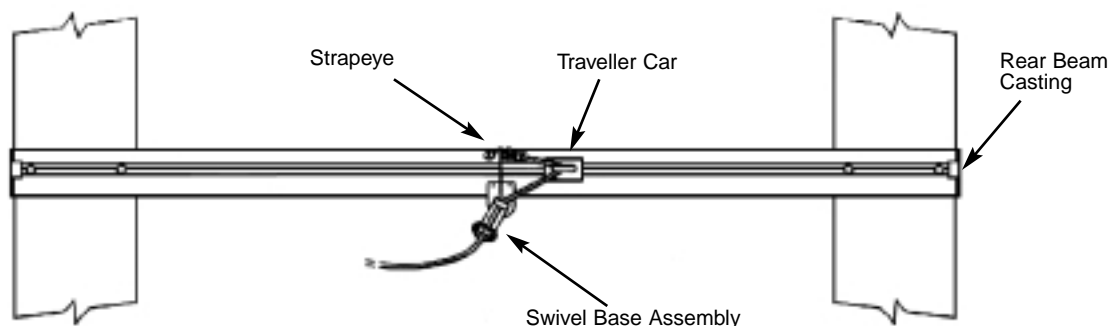
## HULL ASSEMBLY

<u>P/N</u>	<u>DESCRIPTION</u>	<u>MODEL</u>	<u>P/N</u>	<u>DESCRIPTION</u>	<u>MODEL</u>
1500	Port Hull/1501 Starboard Hull	15	F117	Bolt for Gudgeon 1/4" X 1-1/4"	18-2/19
1600	Port Hull/1601 Starboard Hull	16	1017	Drainplug Complete with Metal Housing	ALL
1700	Port Hull/1701 Starboard Hull	Escape	F111	Drainplug Screw #8 X 1"	ALL
1800	Port Hull/1801 Starboard Hull	18	9036	Replacement Drainplug with Washer	ALL
1840	Port Hull/1842 Starboard Hull	18-2	1819	Hatch Complete 6" White	ALL
1920	Port Hull/1922 Starboard Hull	19	1822	Hatch Cover Only	ALL
1026	Centerboard Complete	18-2/19	1823	Hatch "O" Ring Only	ALL
1027	Centerboard Spring Kit (4 sizes)	18-2/19	1910	Jib Track	18-2/19
1029	Centerboard Pivot Tube - PVC	18-2/19	1912	Jib Traveller Car/Slider	18-2/19
1950	Centerboard Shockcord Adjuster (with PVC Tube)	18-2/19	1911	Jib Track End	18-2/19
4870	Centerboard Lock Bearing	18-2/19	F102	Rivet for Cleat and Jib Track End Stop	18-2/19
F144	Centerboard Lock Screw	18-2/19	F103	Rivet for Jib Track	18-2/19
1810	Bow Tang	15/16/18/Escape	F145	Replacement Screw for Jib Car	18-2/19
1809	Tang Cover	18-2/19	1830	Trampoline Track (undrilled)	18-2/19
1811	4" Aluminum Bar for Bow Tang	15/16/18	F101	Rivet for Trampoline Track	18-2/19
F125	Screw for Bow Tang	15/16/18/Escape	6807	Clam Cleat for 4-Way Jib System	18-2/19
1012	Shroud Pin	15/16/18/Escape	9905	4-Way Adjustable Plate	18-2/19
1015	Hull Cap	15/16/18/Escape	C500	Gelcoat Kit (1 pt.) for Hull Repair **	ALL
1016	Rudder Gudgeon	15/16/18/Escape	9050	Owners Manual	15/16/Escape/18
1011	Rudder Gudgeon	18-2/19	9058	Owners Manual	18-2/19
1008	Rudder Gudgeon - Extended	18-2/19	** Gelcoat Kits do not contain catalyst and cannot be shipped by air.		

## REAR CROSSBAR ASSEMBLY

<u>P/N</u>	<u>DESCRIPTION</u>	<u>MODEL</u>	<u>P/N</u>	<u>DESCRIPTION</u>	<u>MODEL</u>
3000	Rear Crossbar	15/16/18/Escape	F141	Rear Crossbar Bolt 5/16" X 5-3/4" Hexcap	ALL
3900	Rear Crossbar	18-2/19	3010	Traveller Car	ALL
3002	Rear Crossbar Endcap - Right	15/16/18/Escape	3505	Traveller Swivel Base Assembly	ALL
3003	Rear Crossbar Endcap - Left	15/16/18/Escape	3007	Cam Cleat Base Casting	ALL
3902	Rear Crossbar Endcap - Right	18-2/19	3008	Pad Eye for Traveller Line	ALL
3903	Rear Crossbar Endcap - Left	18-2/19	9870	Traveller Line (5/16" X 10')	ALL
F105	Rear Crossbar Bolt 5/16" X 5" Flathead	ALL	F103	Rivet for Swivel Base Mount	ALL

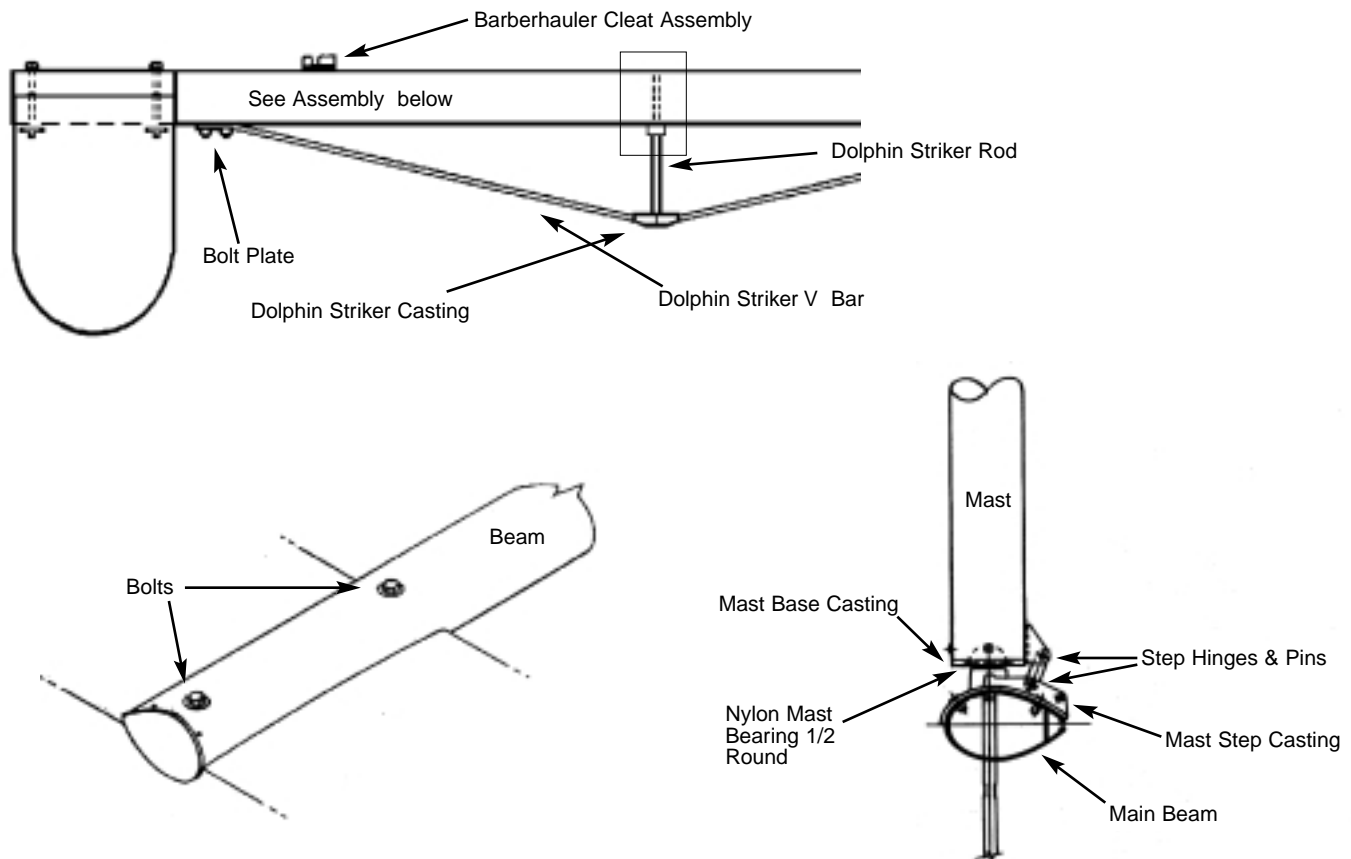
## REAR CROSSBAR ASSEMBLY



## FRONT CROSSBAR ASSEMBLY

<u>P/N</u>	<u>DESCRIPTION</u>	<u>MODEL</u>	<u>P/N</u>	<u>DESCRIPTION</u>	<u>MODEL</u>
2000	Front Crossbar Complete	15/16/18	2010	Dolphin Striker "V" Bar	15/16/18/Escapes
2050	Front Crossbar Complete	Escape	2910	Dolphin Striker "V" Bar	18-2/19
2900	Front Crossbar Complete	18-2/19	9048	Barberhailer Base Plate - Left	ALL
2902	Front Crossbar Endcap	ALL	9049	Barberhailer Base Plate - Right	ALL
F104	5/16" X4-1/4" Hexcap (Outboard)	15/16/Escapes	9047	Barberhailer Bullet Block with Becket	ALL
F110	5/16" X4-1/2" Hexcap (Inboard)	15/16/Escapes	9034	Barberhailer Cheek Block	ALL
F142	3/8" X 4-1/4" Hexcap	18-2/19	9816	Barberhailer Line (1/4" X 16')	16/18
2004	Dolphin Striker Rod (10-3/4")	15/16/18/Escapes	9831	Barberhailer Line (1/4" X 18')	18-2/19
C106	Dolphin Striker Rod (12-1/4")	18-2/19	9055	Barberhailer Cammatic Cleat	16/18/18-2/19
9008	Grease for Dolphin Striker Rod Lubrication	ALL	9045	Fairlead for Cam Cleat	16/18/18-2/19
2505	Dolphin Striker Casting	ALL	F134	Screw for Barberhailer (3")	ALL
F112	Dolphin Striker Screw	ALL	F135	Screw for Barberhailer (1-1/2")	ALL
2006	Mast Step Casting	15/16/18/Escapes	F137	Screw for Barberhailer (2-1/2")	ALL
2906	Mast Step Casting	18-2/19	9902	Jib Block	Escape
2007	Nylon Mast Bearing 1/2" Round	ALL	9910	Spring for Jib Block	Escape
2008	Bolt Plate for Dolphin Striker	ALL	C230	Barberhailer Kit - Option	16/18
F107	Locknut for Dolphin Striker Bolt Plate	ALL			

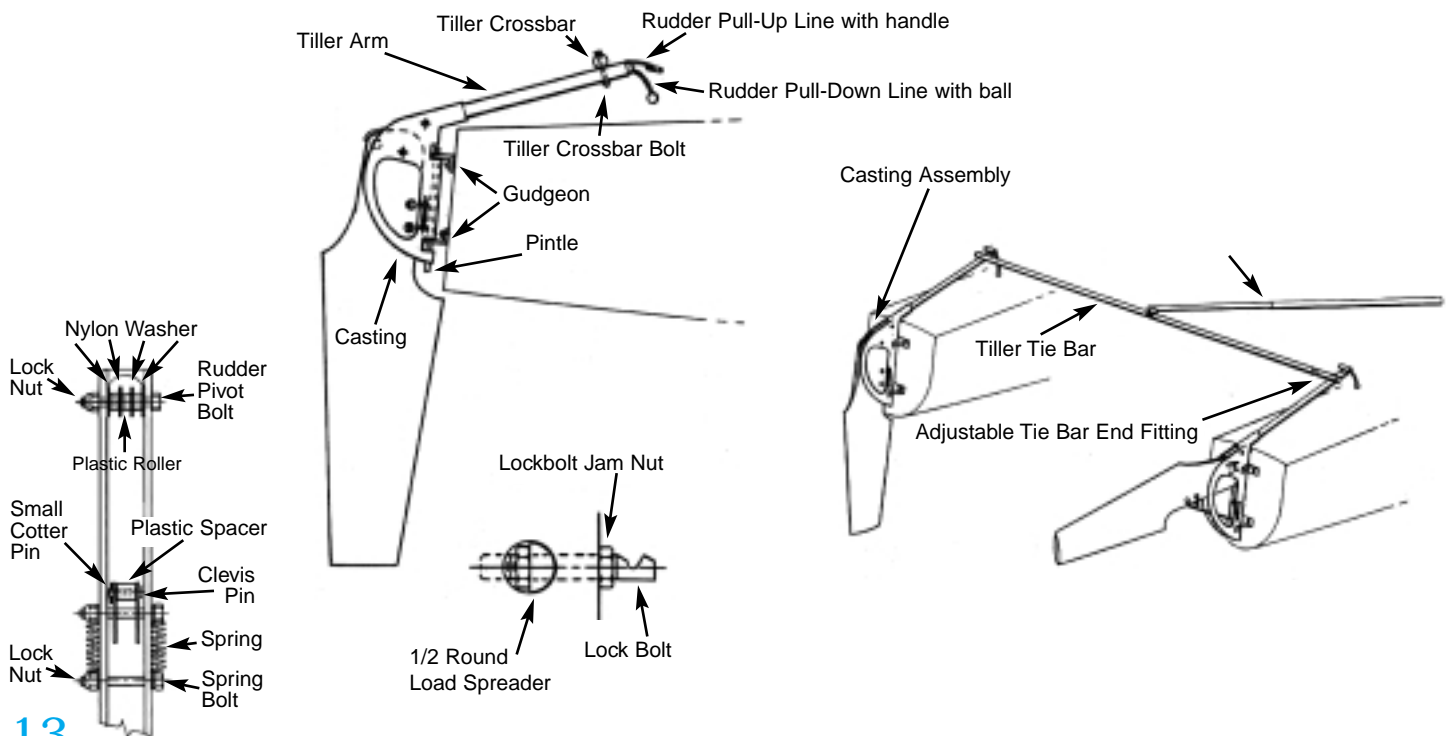
## FRONT CROSSBAR ASSEMBLY



## RUDDER AND TILLER ASSEMBLY

P/N	DESCRIPTION	MODEL	P/N	DESCRIPTION	MODEL
4000	Rudder Assembly Complete (w/Tiller Crossbar)		4020	Rope End Ball	ALL
15/16/18/Escape			5101	Pull Up Handle	ALL
4900	Rudder Assembly Complete (w/Tiller Crossbar)	18-2/19	4021	Rudder Pintle with Pin (Aluminum)	15/16/18/Escape
4001	Rudder Casting - Left (plain)	ALL	4522	Rudder Pintle with Pin (Stainless Steel)	18-2/19
4002	Rudder Casting - Left (with hardware)	15/16/18/Escape	4022	Rudder Blade without Fittings	15/16/18/Escape
4007	Rudder Casting - Left (with hardware)	18-2/19	4025	Rudder Blade without Fittings	18-2/19
4005	Rudder Casting - Right (plain)	ALL	4225	Rudder Blade (Long)	19
4006	Rudder Casting-Right (with hardware)	15/16/18/Escape	4017	Rudder Lock Bolt	ALL
4008	Rudder Casting - Right (with hardware)	18-2/19	4018	Lockbolt Jam Nut	ALL
5004	Rudder Arm Slotted	ALL	4019	1/2 Round Load Spreader	ALL
5009	Rudder Arm Slotted (long)	18-2/19	5007	Tiller Crossbar (without Adjustable End Cap)	15/16/18/Escape
5006	Rudder Arm End Casting	ALL	5008	Tiller Crossbar (without Adjustable End Cap)	18-2/19
4010	Lock Release Strap	ALL	5106	Adjustable End Cap (2 Piece)	ALL
4009	Plastic Roller (Upper)	ALL	5005	Tiller Crossbar End Casting	ALL
4012	Clevis Pin	ALL	F100	Rivet for Rudder Arm	ALL
F115	Cotter Pin for Rudder Pintle	ALL	F124	Bolt for Tiller Connector and Blade Pivot	ALL
4014	Plastic Spacer (Lower)	ALL	F123	Nut for Spring Bolt and Tiller Connector	ALL
4013	Small Cotter Pin inside Casting	ALL	F119	Flat Washer for Tiller Connector	ALL
4016	Spring	ALL	F118	Nylon Washers (Internal Casting)	ALL
F120	Spring Bolt Hex Cap (1/4" X 2-1/8")	ALL	5801	Aluminum Hiking Stick	ALL
4023	Rudder Pull Down Line with Ball	ALL	5802	Extendible Arriba Hiking Stick	ALL
4024	Rudder Pull Up Line with Handle	ALL	C281	Yoke Assembly for Tiller Extension	ALL
4026	Rudder Pull Down Line w/ball (long)	18-2/19	1006	Rudder Extender Kit	18-2/19
4027	Rudder Pull Up Line w/handle (long)	18-2/19			

## RUDDER AND TILLER ASSEMBLY



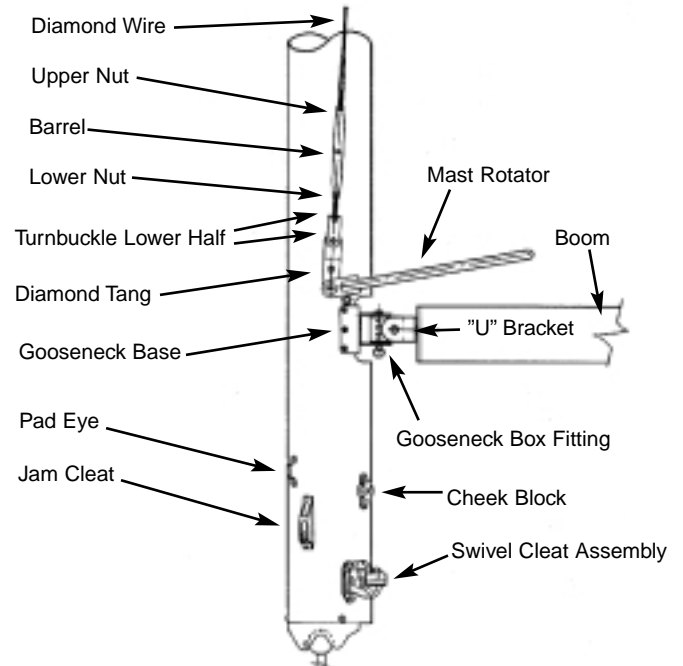
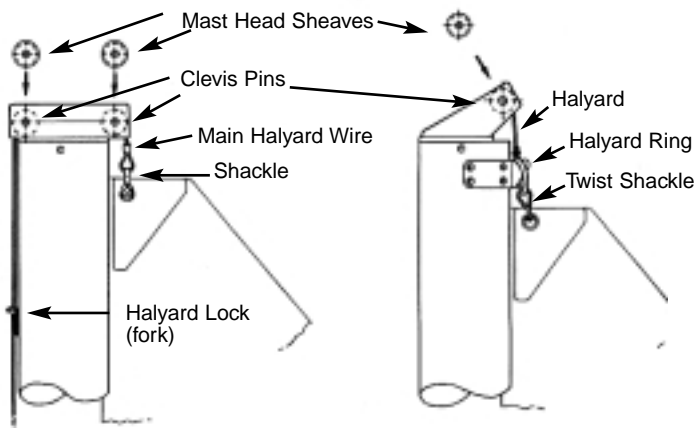


## MAST ASSEMBLY

<u>P/N</u>	<u>DESCRIPTION</u>	<u>MODEL</u>
6500	Mast Assembly Complete	15
6000	Mast Assembly Complete	16
6700	Mast Assembly Complete	Escape
6800	Mast Assembly Complete	18
6850	Mast Assembly Complete	18-2
6900	Mast Assembly Complete	19
6502	Mast Head Casting	15
6002	Mast Head Casting	16/Escape
6802	Mast Head Casting	18
6902	Mast Head Casting	18-2/19
6803	Mast Head Sheave	15/18/18-2/19
6003	Mast Head Sheave	16
6004	Clevis Pin for Halyard Sheave	ALL
6505	Mast Base Casting	15
6005	Mast Base Casting	16/Escape
6805	Mast Base Casting	18
6905	Mast Base Casting	18-2/19
6804	Mast Base Sheave	15/18/18-2/19
6006	Mast Hound	15/16/Escape
6806	Mast Hound	18/18-2/19
6807	Clam Cleat for Downhaul	15/16/18/Escape
C613	Downhaul Swivel Cleat	18-2/19
C620	Downhaul Swivel Cleat Assembly	18-2/19
6007	Aluminum Cleat for Main Halyard	16/Escape
6813	Diamond Tang - 3 Hole (bottom)	18/18-2/19

<u>P/N</u>	<u>DESCRIPTION</u>	<u>MODEL</u>
6814	Diamond Spreader Base	18/18-2/19
6817	Diamond Tang - 4 Hole (top)	18/18-2/19
6808	Mast Rotator Bolt Plate	15/18/18-2/19
6010	Halyard Lock - Fork	16/Escape
6812	Halyard Lock - Hook	ALL
N505	Screw for Mast Step Hinge	15/18/18-2/19
N510	Washer for Mast Step Hinge	15/18/18-2/19
N502	Nut for Mast Step Hinge	15/18/18-2/19
6011	Mast Sticker with Black Band	ALL
6012	Electricity Warning Sticker	ALL
6516	Mast Base Hinge Plate	15
6816	Mast Base Hinge Plate	18/18-2/19
6815	Mast Step Hinge	ALL
F128	Mast Step Hinge Pin (each)	ALL
F116	Cotter Ring for Pins	ALL
7807	Gooseneck Base Fitting	15/16/18/18-2/19
7007	Downhaul Block	15/16/18/Escape
9046	Downhaul Cheek Block	18-2/19
9841	Mast Rotator Wishbone	15/18/18-2/19
C270	Diamond Spreader Bar Replacement Kit	18/18-2/19

## MAST ASSEMBLY



## PRINDLE 19MX-CONVERSION KIT

<u>P/N</u>	<u>DESCRIPTION</u>
2908	Vertical Pole
1045	Vertical Pole Tang
2907	Horizontal Pole
L216	Horizontal Pole Endcaps
4012	Clevis Pins
6004	Clevis Pins
F116	Split Ring

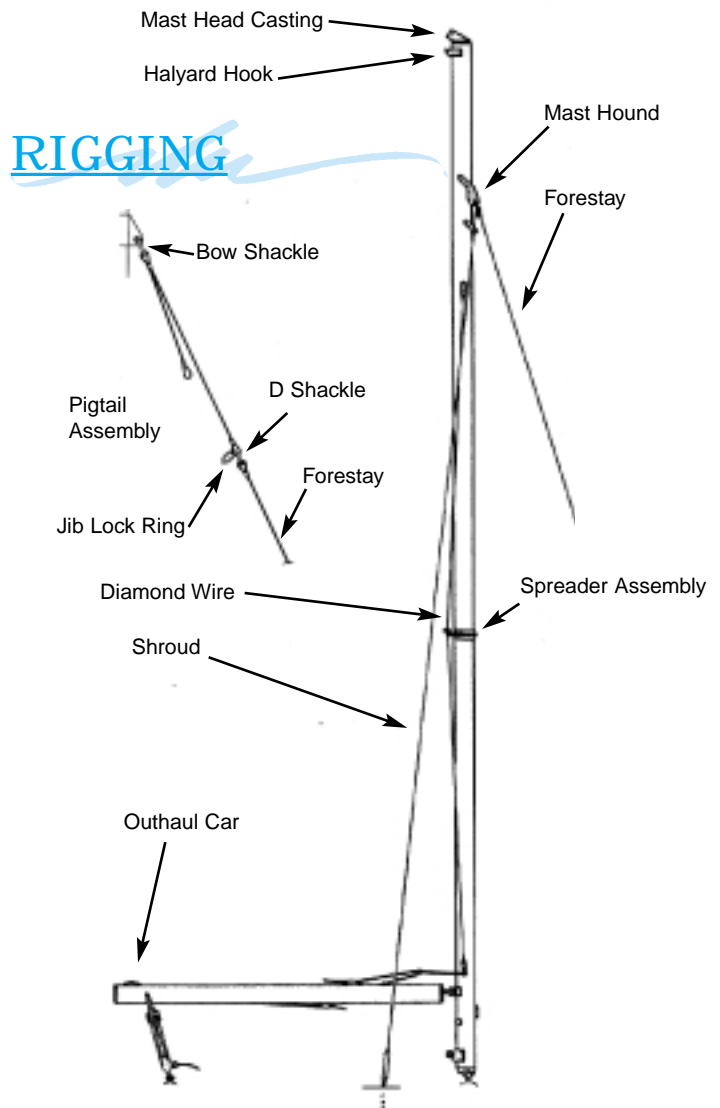
<u>P/N</u>	<u>DESCRIPTION</u>
F188	1/4 x 1-3/4 Bolt
F123	Nyloc Nut
1044	U Bracket
9056	Strap Eye
F108	Pop Rivet
1043	Pole Tang
1042	Beam U Bracket

<u>P/N</u>	<u>DESCRIPTION</u>
4524	Clevis Pins
9089	Lines
9421	Tang
9703	Hog Rings
G155	2" Heat Shrink
* See sails section to order mainsail and jib	

## RIGGING

<u>P/N</u>	<u>DESCRIPTION</u>	<u>MODEL</u>
9858	Bow Bridle Wire	15
9002	Bow Bridle Wire	16
9847	Bow Bridle Wire	18
9175	Bridle Wire for Foil	Escape
9872	Bow Bridle Wire	18-2/19
9415	Bridle Wire Clevis Pin (1/4" X 3/8")	18-2/19
9855	Shroud - Coated	15
9000	Shroud - Coated	16
9846	Shroud - Coated	18/18-2
9079	Shroud - Coated	Escape
9874	Shroud - Coated	19
9893	Shroud Adjuster	ALL
9894	Shroud Adjuster Cover	ALL
4012	Clevis Pin - Shroud (1/4" X 3/4") standard	ALL
9899	Clevis Pin - Shroud (1/4" X 1/2") small	OPTION
9857	Forestay with Turnbuckle	15
9039	Forestay with Turnbuckle	16
9834	Forestay with Turnbuckle	18
9080	Forestay with Turnbuckle	Escape
9082	Furler Forestay	Escape
9869	Forestay with Turnbuckle	18-2
9875	Forestay with Turnbuckle	19
9040	Forestay Pigtail with Ring	16
9833	Forestay Pigtail with Ring	18
9835	Forestay Pigtail with Ring	18-2
9878	Forestay Pigtail with Ring	19
9004	Shackle - 1/4" - Shroud/Forestay	ALL
9003	Shackle - 5/16" Standard - Masthead	ALL
9909	Large Shackle for Furler System	Escape
9052	Furler Drum - Bottom (maximum load 950 lbs.)	Escape
9053	Furler Swivel - Top (maximum load 950 lbs.)	Escape
9059	Furler Line (5/32" X 14')	Escape
9078	Ring for Pigtail - Small	Escape
9848	Ring for Pigtail - Large	16/18/Escape/18-2/19
9856	Trapeze Wire (single)	15
9023	Trapeze Wire (single)	16/Escape/OPTION
9038	Trapeze Wire (double)	16
9823	Trapeze Wire (double)	18/18-2
9873	Trapeze Wire (double)	19
9854	Trapeze Height Adjuster/Rope Lock	ALL
9853	Trapeze Ring	ALL
9022	Trapeze Shockcord Block	15/16/18
9837	Diamond Wire with Wheel and Turnbuckle	18/18-2
9879	Diamond Wire with Wheel and Turnbuckle	19
9016	Jib Bridle Wire without Hatch	16
9017	Jib Bridle Wire with Hatch	16
9850	Jib Bridle Wire	18
9827	Jib Bridle Tiedown Line	16/18
9840	Twisted Shackle (3/16") standard	15/18/18-2/19
9891	Twisted Shackle (1/4") Large	OPTION
9838	Main Halyard Lock Ring	15/18/18-2/19

<u>P/N</u>	<u>DESCRIPTION</u>	<u>MODEL</u>
9037	Shackle for Halyard Wire	16/Escape
9026	Main Halyard Wire	16
9081	Main Halyard Wire	Escape
9037	Shackle for Halyard Wire, Forestay for Furler	Escape
9041	Jib Halyard Line w/Sister Clip (17'7")	16
9830	Jib Halyard Line w/Sister Clip (21'3")	18/18-2/19/Escape
9005	3/16" Shackle for "S" Hook	ALL
9839	"S" Hook for Jib Halyard System	ALL
9849	Sister Clip	ALL
9701	Shockcord Rope Crimps	ALL
9409	Replacement Barrel for Turnbuckle	ALL
9410	Turnbuckle - Lower Half (includes nut)	ALL
9411	Turnbuckle - Lower nut	ALL
9413	Turnbuckle - Upper nut	ALL



## MAINSAILS

<u>P/N</u>	<u>DESCRIPTION</u>	<u>MODEL</u>	<u>P/N</u>	<u>DESCRIPTION</u>	<u>MODEL</u>
8500	Mainsail	15	8917	Mainsail	19
8000	Mainsail	16	8918	Mainsail (Sails by Smyth))	19MX
8700	Mainsail	Escape	8918U	Mainsail (Ullman Sails)	19MX
8800	Mainsail	18	Sails will be shipped folded, unless otherwise specified.		
8281	Mainsail	18-2	All sails include sailbags.		

## JIBSAILS

<u>P/N</u>	<u>DESCRIPTION</u>	<u>MODEL</u>	<u>P/N</u>	<u>DESCRIPTION</u>	<u>MODEL</u>
8002	Jib	16	8919	Jib (Sails by Smyth)	19MX
8702	Jib	Escape	8919U	Jib (Ullman Sails)	19MX
8802	Jib	18	Sails will be shipped folded, unless otherwise specified.		
8285	Jib	18-2	All sails include sailbags.		
8916	Jib	19			

## BATTENS

<u>P/N</u>	<u>DESCRIPTION</u>	<u>MODEL</u>	<u>P/N</u>	<u>DESCRIPTION</u>	<u>MODEL</u>
8200	Universal Batten Set	15/16/18/Escape	8010	Replacement Glass Batten	94-1/2"
8901	Batten Set	18-2/19	8907	Replacement Glass Batten	101"
8912	Batten Set (Sails by Smyth)	19MX	8902	Replacement Foam Batten	50"
8912U	Batten Set (Ullman Sails)	19MX	8903	Replacement Foam Batten	74-1/2"
8905	Replacement Glass Batten	50"	8813	Replacement Foam Batten	94"
8906	Replacement Glass Batten	74"	8904	Replacement Foam Batten	101"

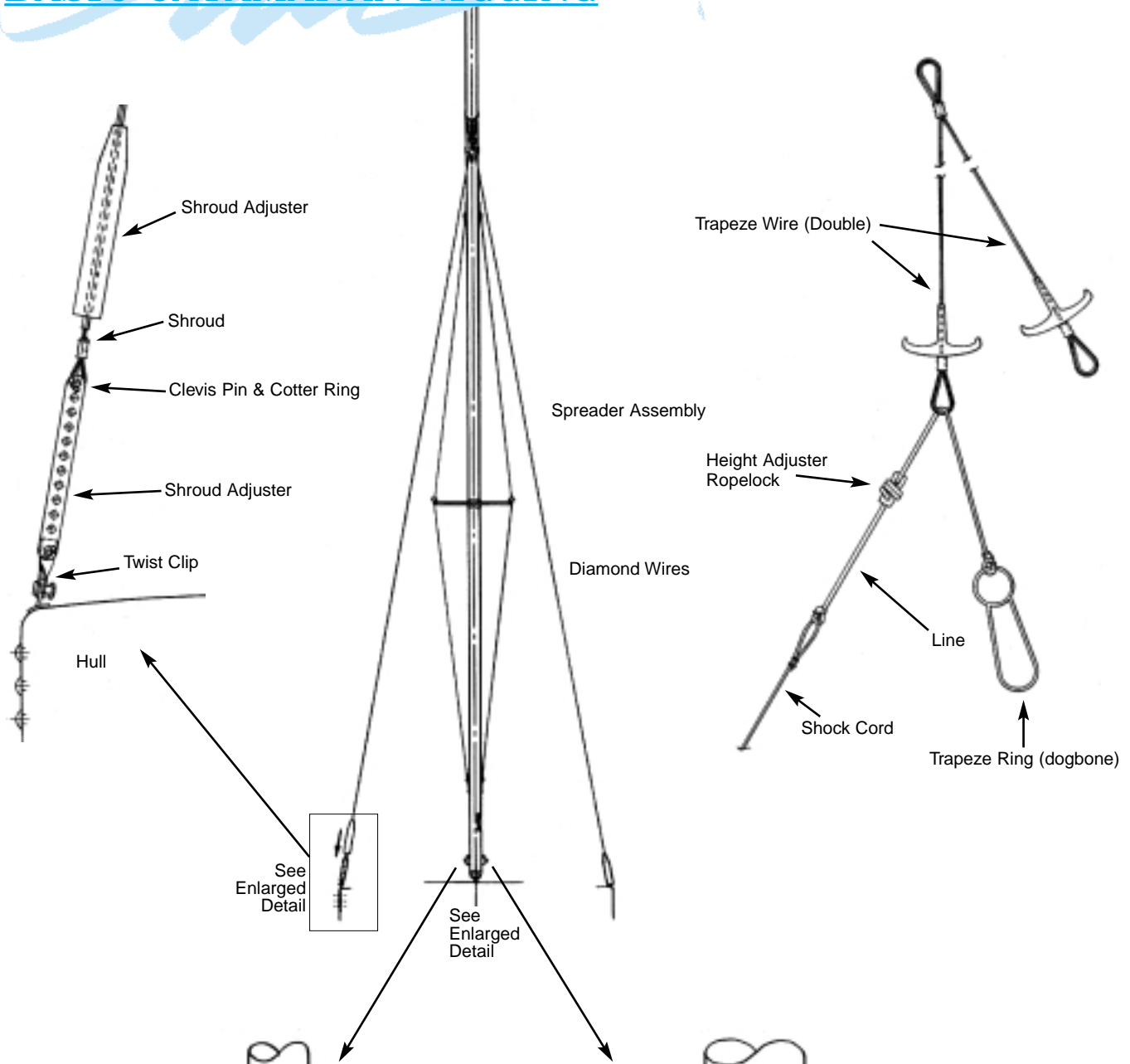
## TRAMPOLINES

<u>P/N</u>	<u>DESCRIPTION</u>	<u>MODEL</u>	<u>P/N</u>	<u>DESCRIPTION</u>	<u>MODEL</u>
9859	Trampoline Black Mesh	15	9880	Trampoline Black Mesh	18-2/19
9009	Trampoline Black Mesh (w/o Hatch)	16	C250	Lace Line Replacement Kit	15/16/18/Escape
9010	Trampoline Black Mesh	16	C251	Lace Line Replacement Kit	18-2/19
9170	Trampoline Black Mesh	Escape	9892	Slug Slide	OPTION
9818	Trampoline Black Mesh	18	* All trampolines include lace line		

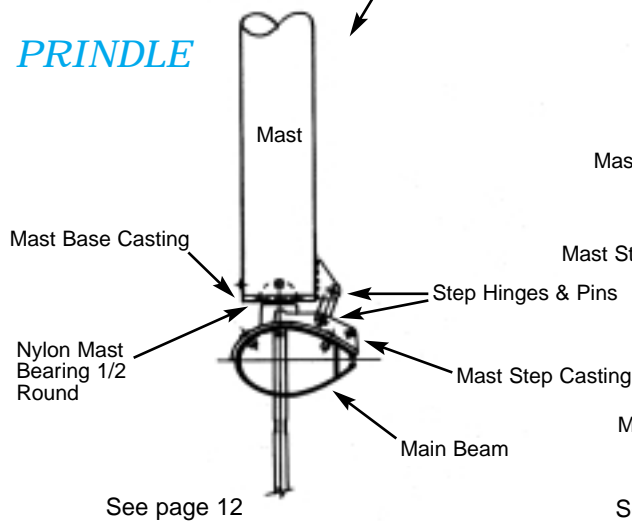
## BRIDLE FOIL ASSEMBLY - ESCAPE

<u>P/N</u>	<u>DESCRIPTION</u>	<u>P/N</u>	<u>DESCRIPTION</u>
7851	Bridle Foil Tube	9909	Large Shackle (to Furler Drum)
7852	Bridle Foil End Cap	F122	Washer for End Cap/Wire Mount
7853	Bridle Rod/Hull Connector	F123	Nut for End Cap/Wire Mount
9175	Bridle Wire (to Furler Drum)	F124	Bolt for End Cap/Wire Mount

# BASIC CATAMARAN RIGGING



## PRINDLE



## NACRA

