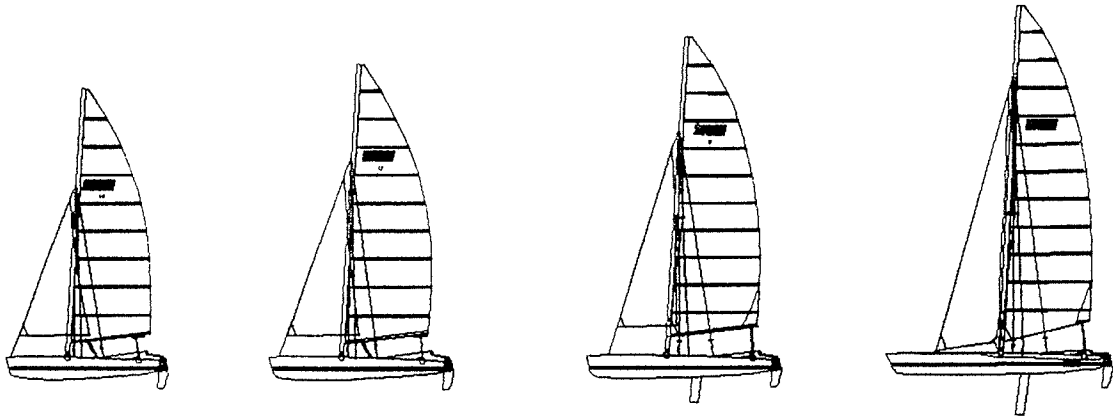


The Next Generation of Sailing

SUPERCAT





SUPERCAT™

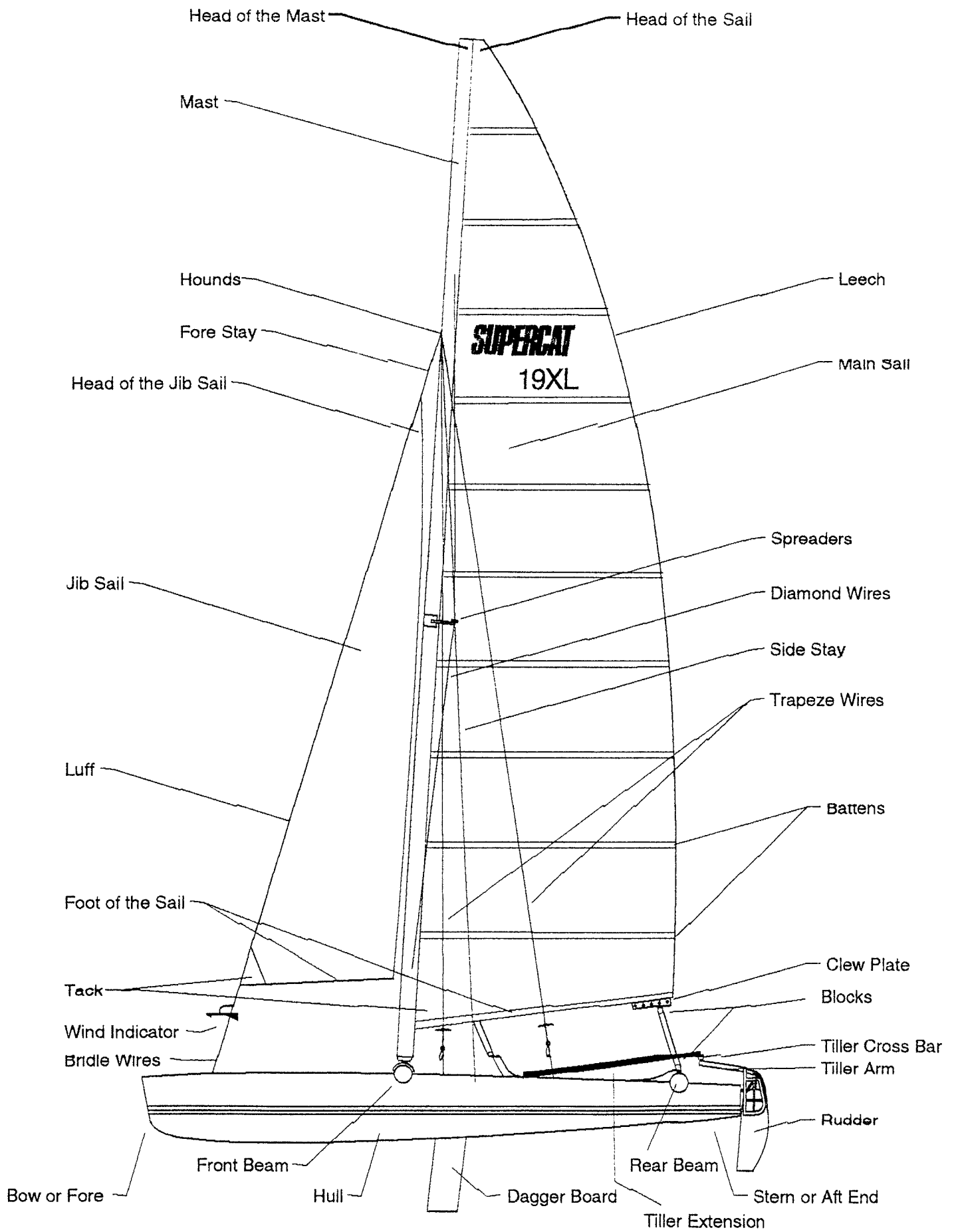
Illustrated Parts Catalog

Contents

SC Diagram	<i>I</i>
SC15 Boat	1
SC15 Rigging	2
SC17 Boat	3
SC17 Rigging	4
SC19 Boat	5
SC19 Rigging	6
SC19XL Boat	7
SC19XL Rigging	8
Rudders	9
Parts Kits	10
Sequential Parts List	11

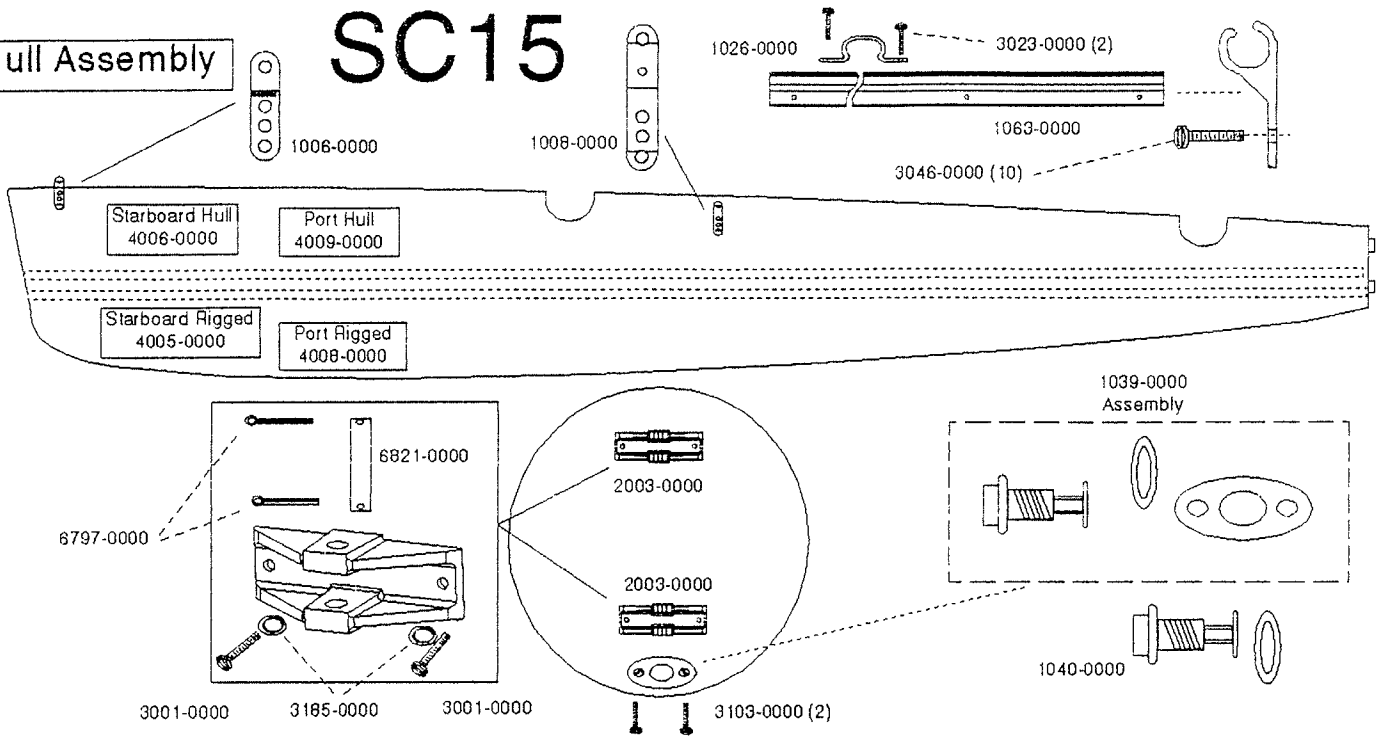
AQUARIUS SAIL INC.
 26650 FALLBROOK AVE.
 WYOMING MN 55092
 651-462-SAIL

<http://www.aquarius-sail.com>

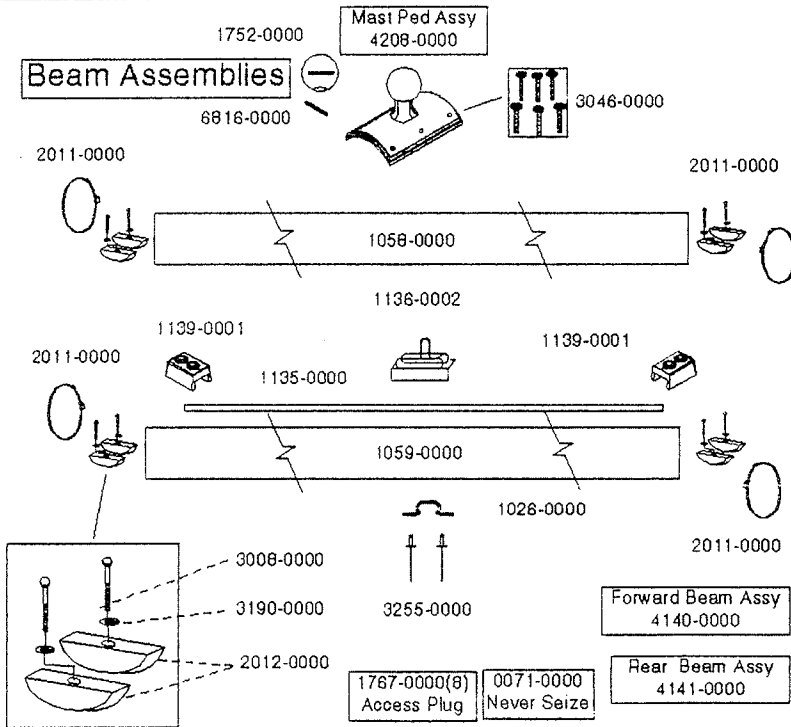


Hull Assembly

SC15

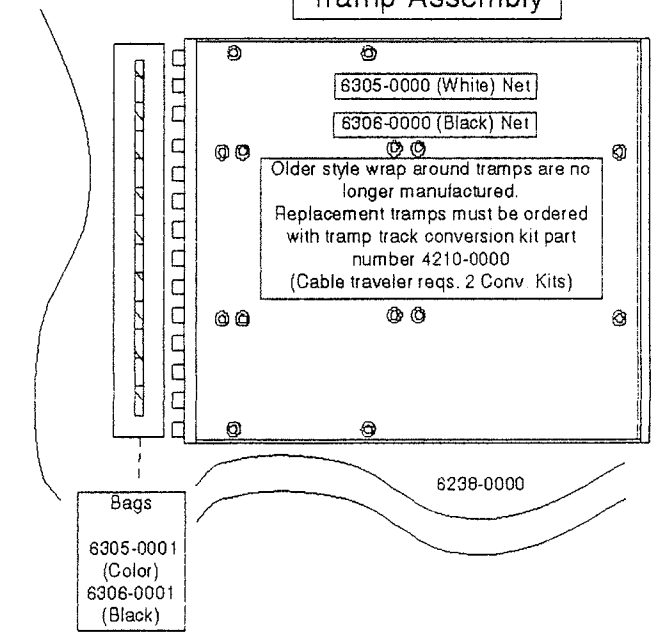


Beam Assemblies

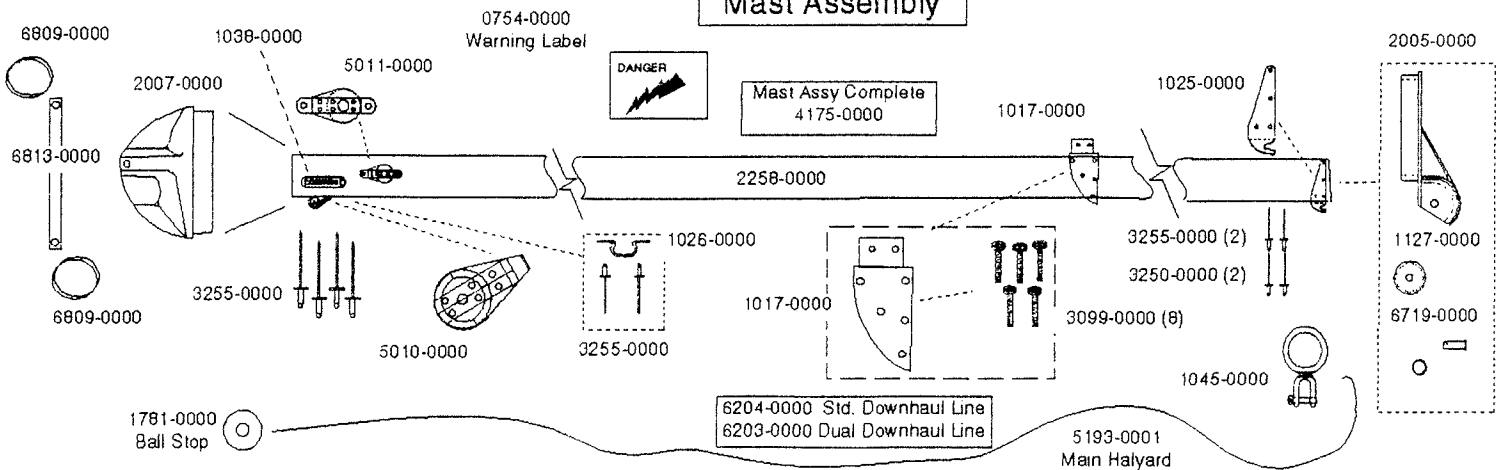


6234-0000 (2)

Tramp Assembly

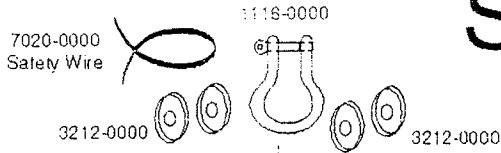


Mast Assembly

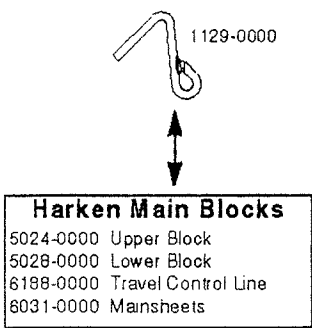
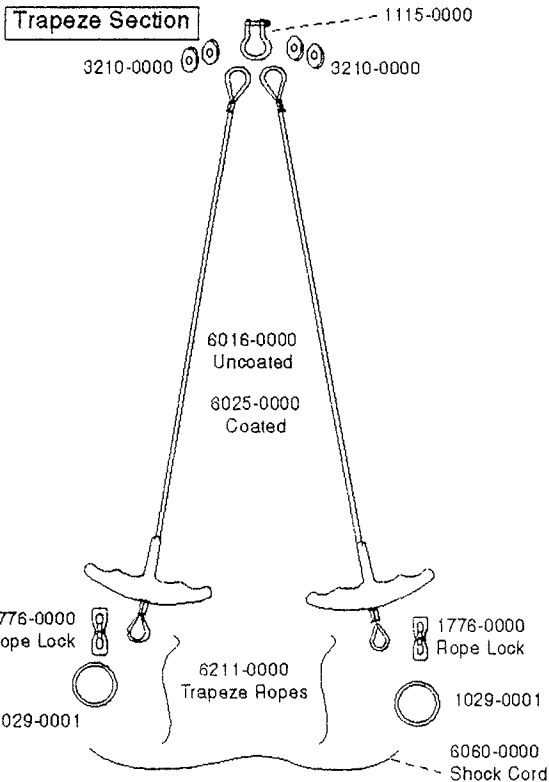
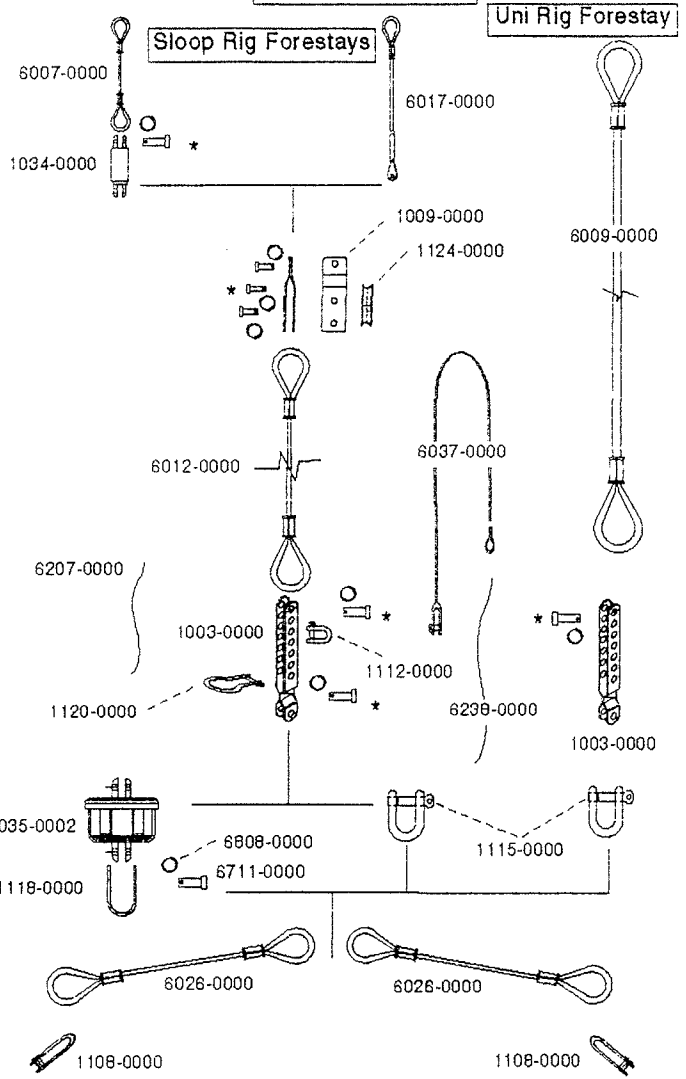
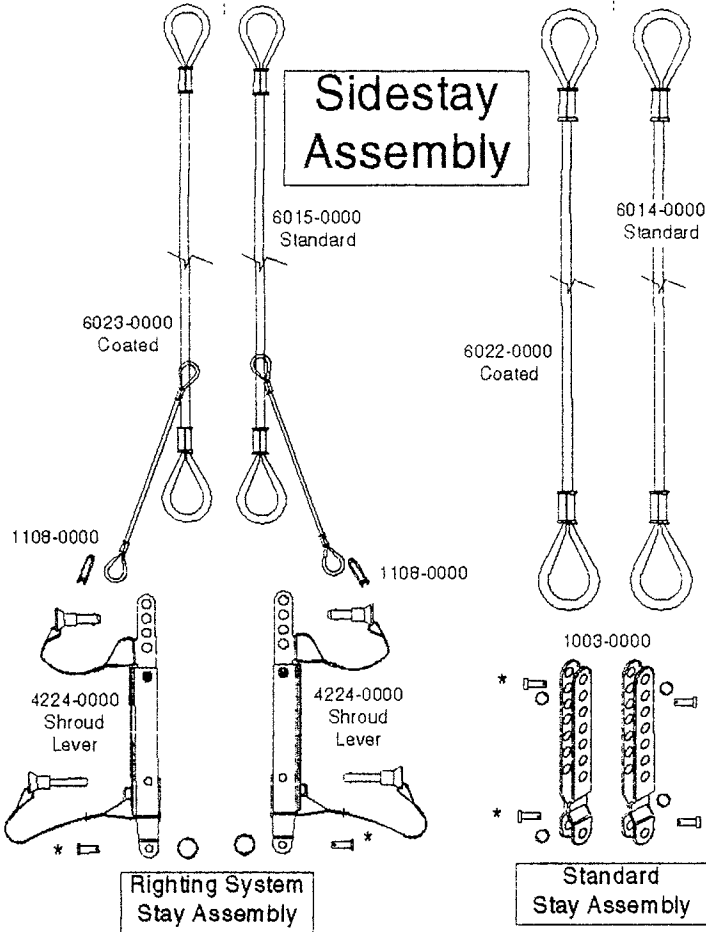


SC15

Forestay Assemblies

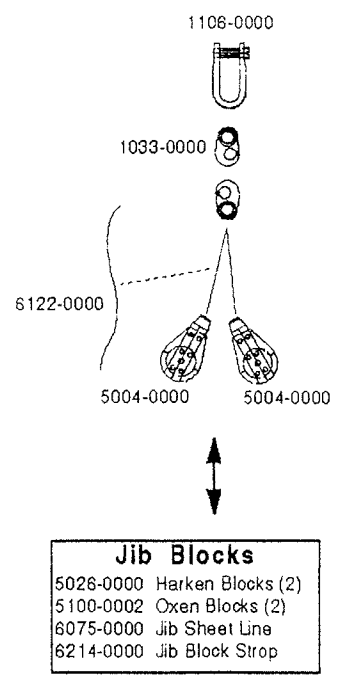


Sidestay Assembly



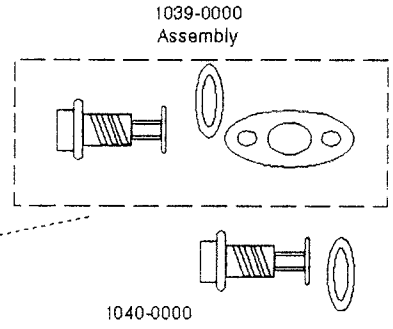
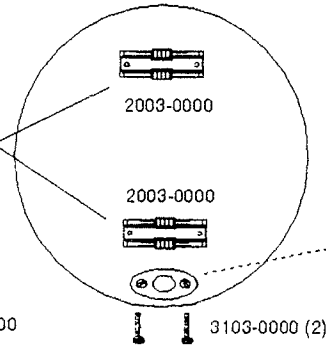
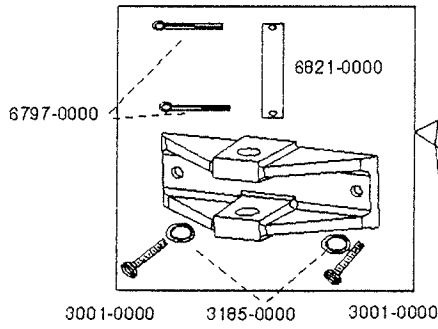
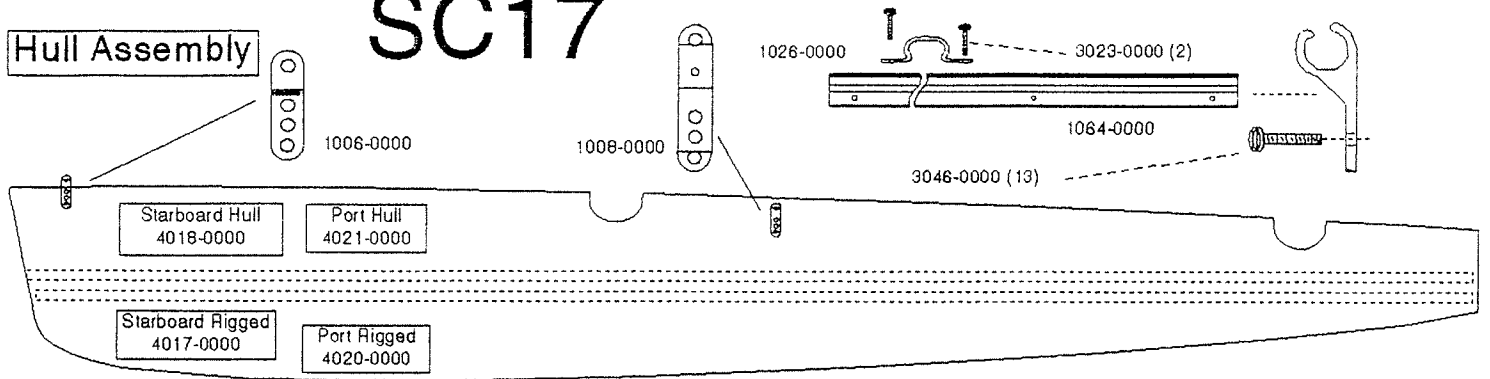
Clevis & Ring Guide

3/8" x 3/4"	6718-0000
5/16" x 3/4"	6719-0000
1/4" x 13/32"	6700-0000
1/4" x 1/2"	6704-0000
1/4" x 3/4"	6707-0000
1/4" x 1"	6710-0000
1/4" x 1.25"	6711-0000
3/16" x 13/32"	6721-0000
3/16" x 1/2"	6722-0000
3/16" x 5/8"	6718-0000
3/16" x 3/4"	6717-0000
3/16" x 1"	6723-0000
1/2" Ring	6805-0000
5/8" Ring	6808-0000
3/4" Ring	6809-0000

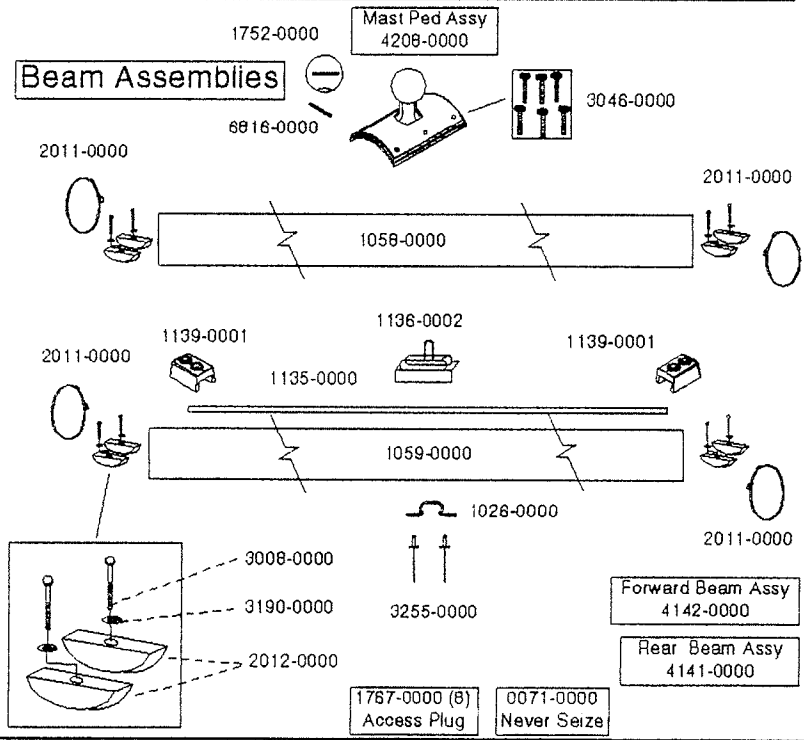


SC17

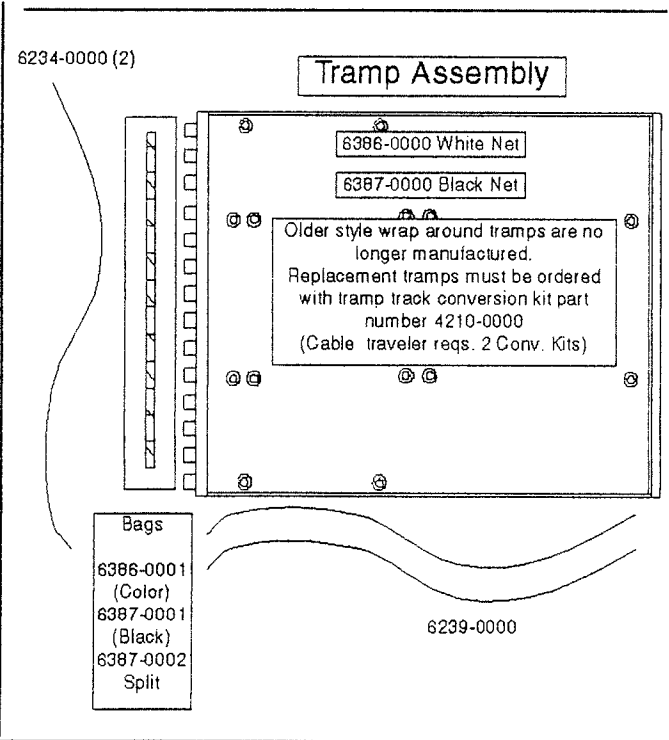
Hull Assembly



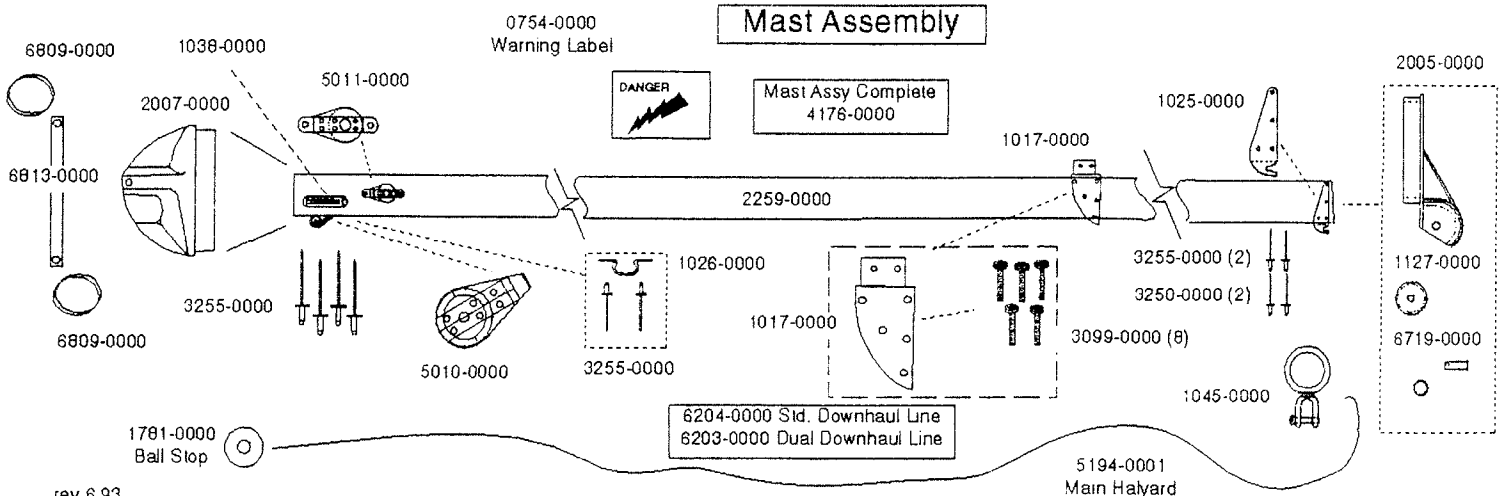
Beam Assemblies



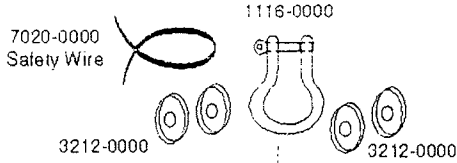
Tramp Assembly



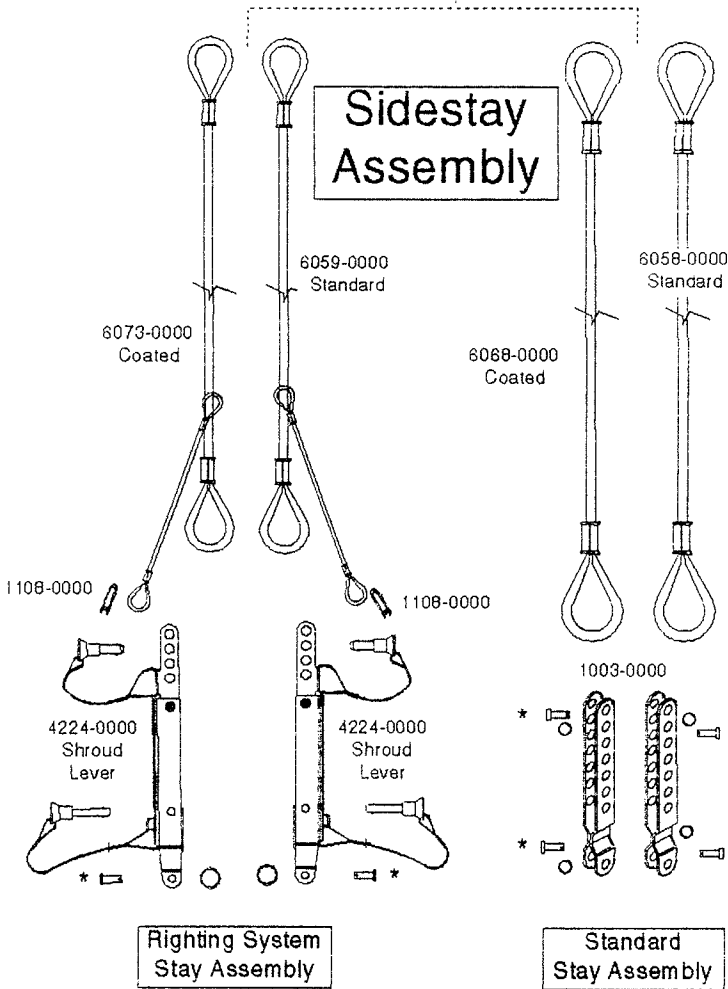
Mast Assembly



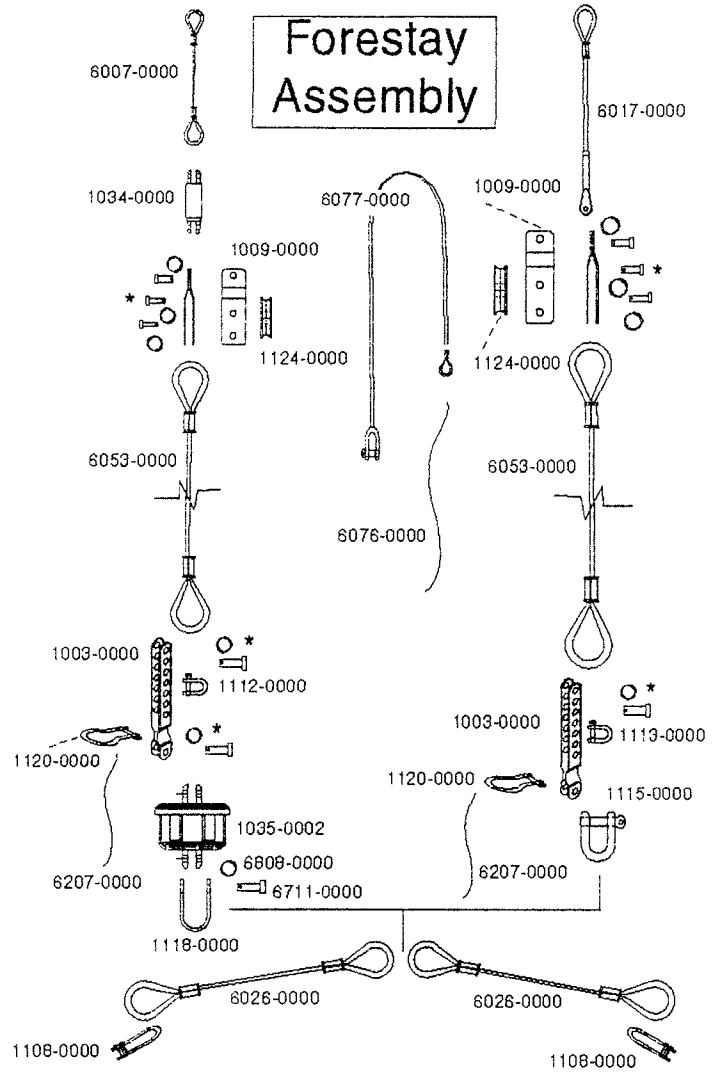
SC17



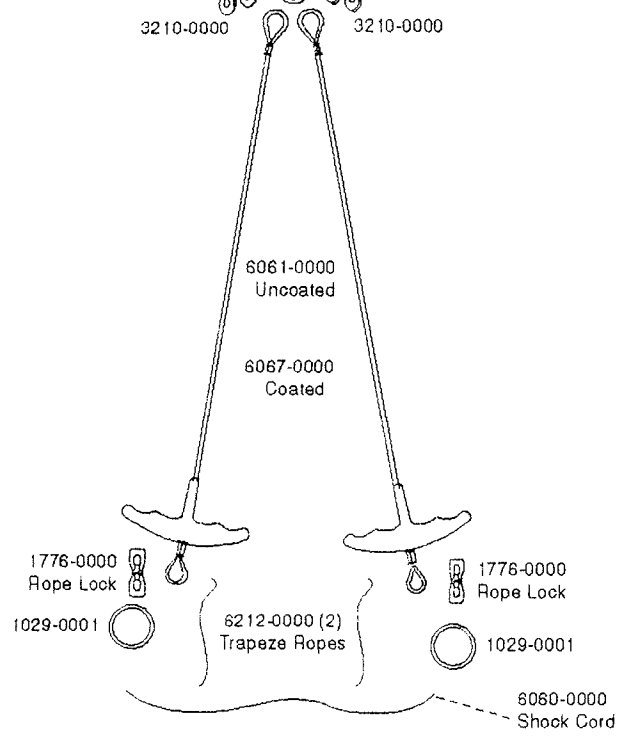
Sidestay Assembly



Forestay Assembly



Trapeze Section

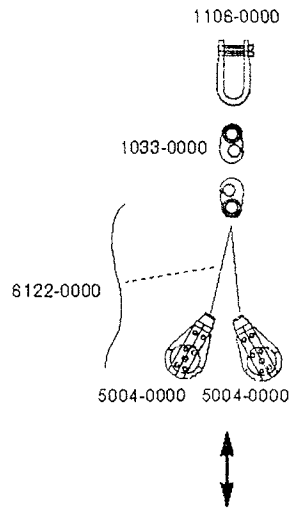


Harken Main Blocks

- 5024-0000 Upper Block
- 5028-0000 Lower Block
- 6188-0000 Travel Control Line
- 6031-0000 Mainsheets

Clevis & Ring Guide

- | | |
|----------------|-----------|
| 3/8" x 3/4" | 6716-0000 |
| 5/16" x 3/4" | 6719-0000 |
| 1/4" x 13/32" | 6700-0000 |
| 1/4" x 1/2" | 6704-0000 |
| 1/4" x 3/4" | 6707-0000 |
| 1/4" x 1" | 6710-0000 |
| 1/4" x 1.25" | 6711-0000 |
| 3/16" x 13/32" | 6721-0000 |
| 3/16" x 1/2" | 6722-0000 |
| 3/16" x 5/8" | 6718-0000 |
| 3/16" x 3/4" | 6717-0000 |
| 3/16" x 1" | 6723-0000 |
| 1/2" Ring | 6805-0000 |
| 5/8" Ring | 6808-0000 |
| 3/4" Ring | 6809-0000 |

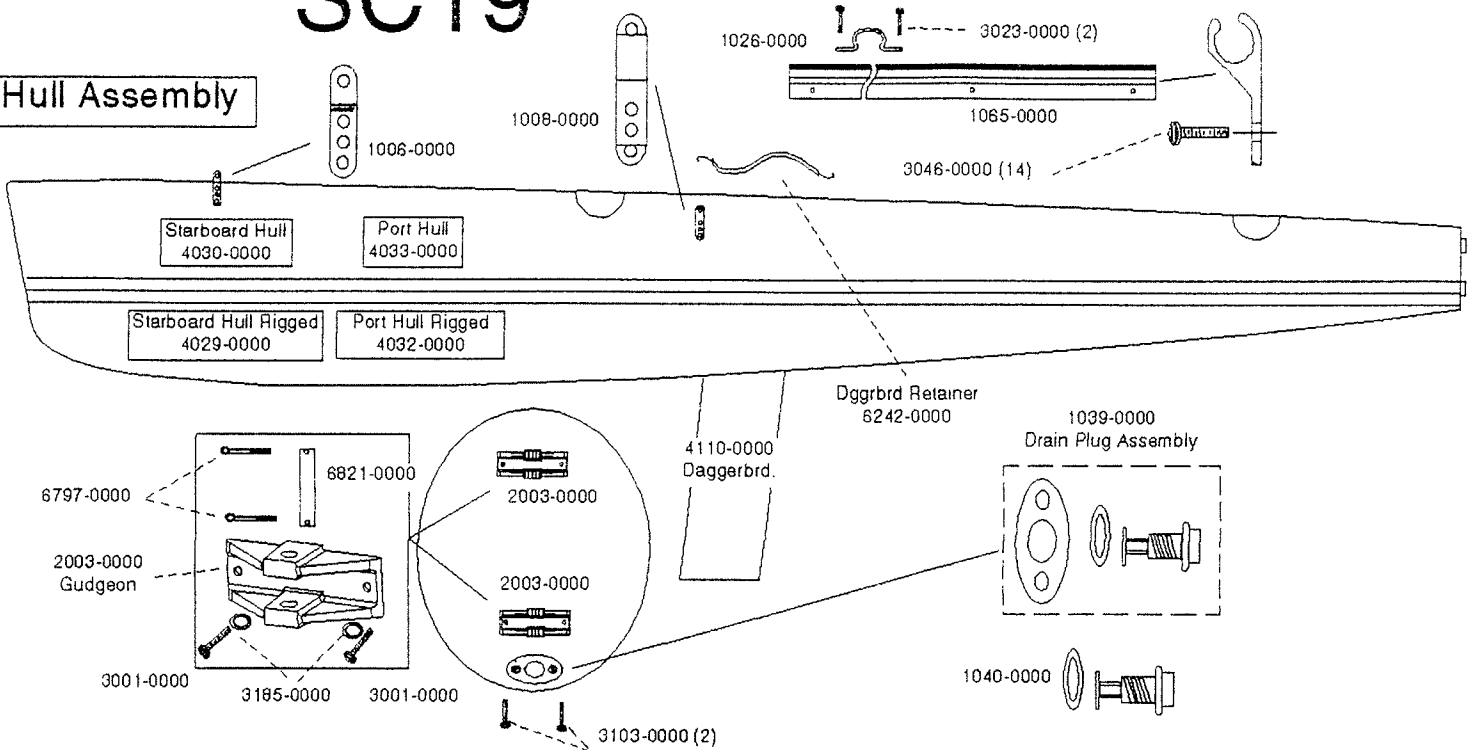


Jib Blocks

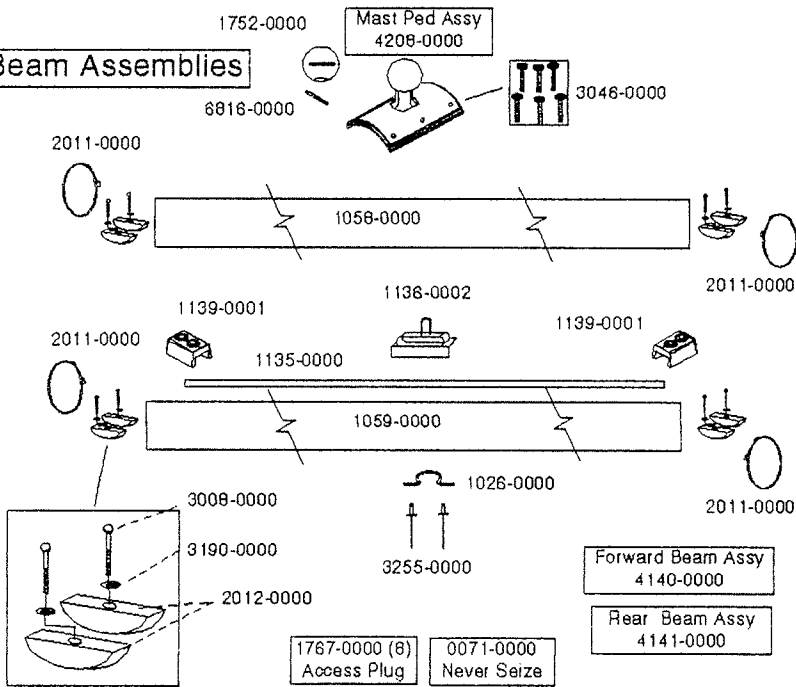
- 5026-0000 Harken Blocks (2)
- 5100-0002 Oxen Blocks (2)
- 6075-0000 Jib Sheet Line
- 6214-0000 Jib Block Strop(2)

SC19

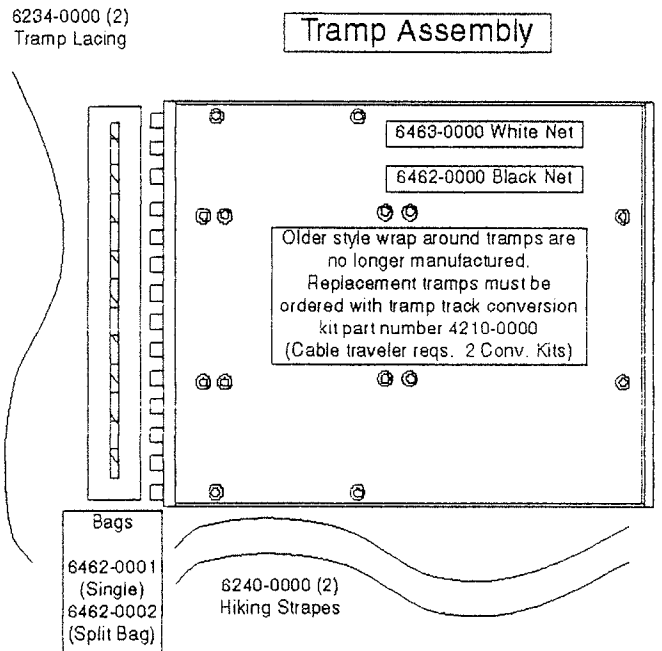
Hull Assembly



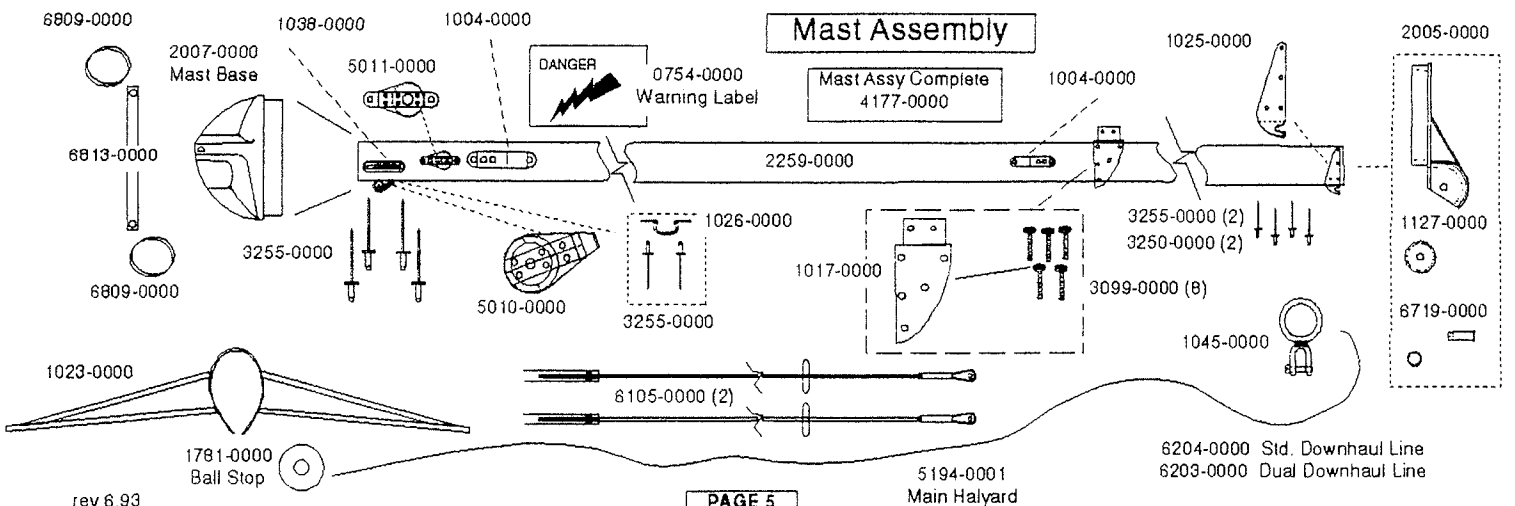
Beam Assemblies



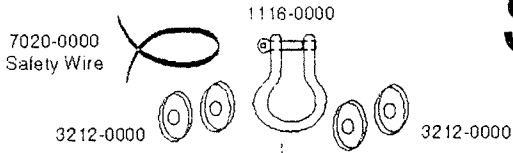
Tramp Assembly



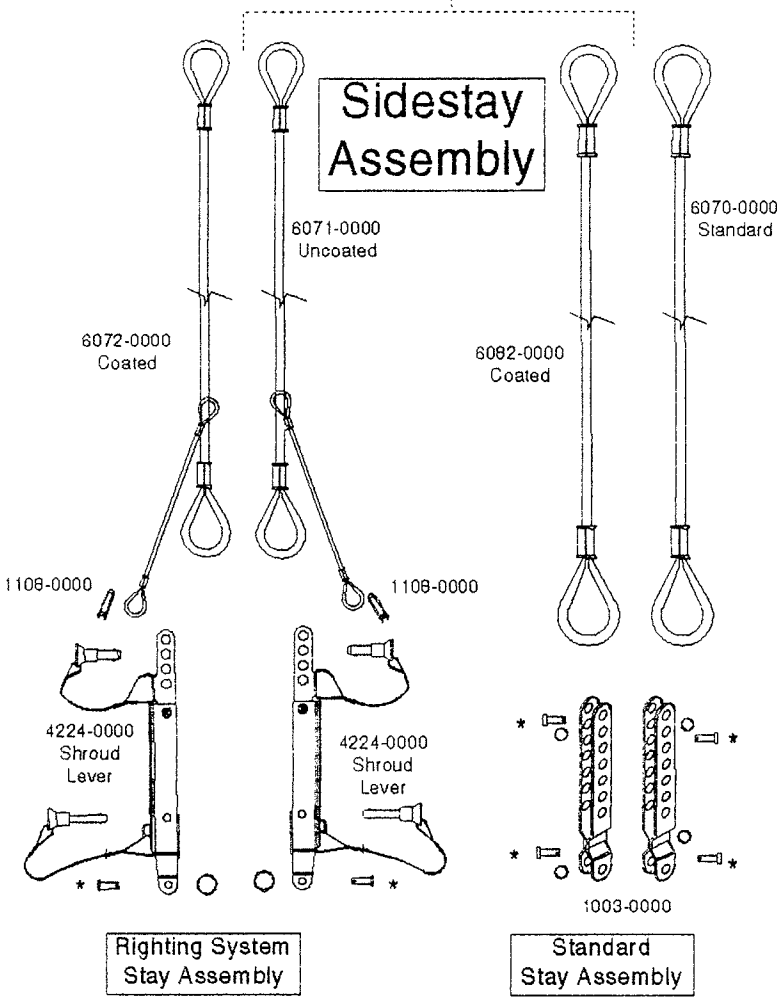
Mast Assembly



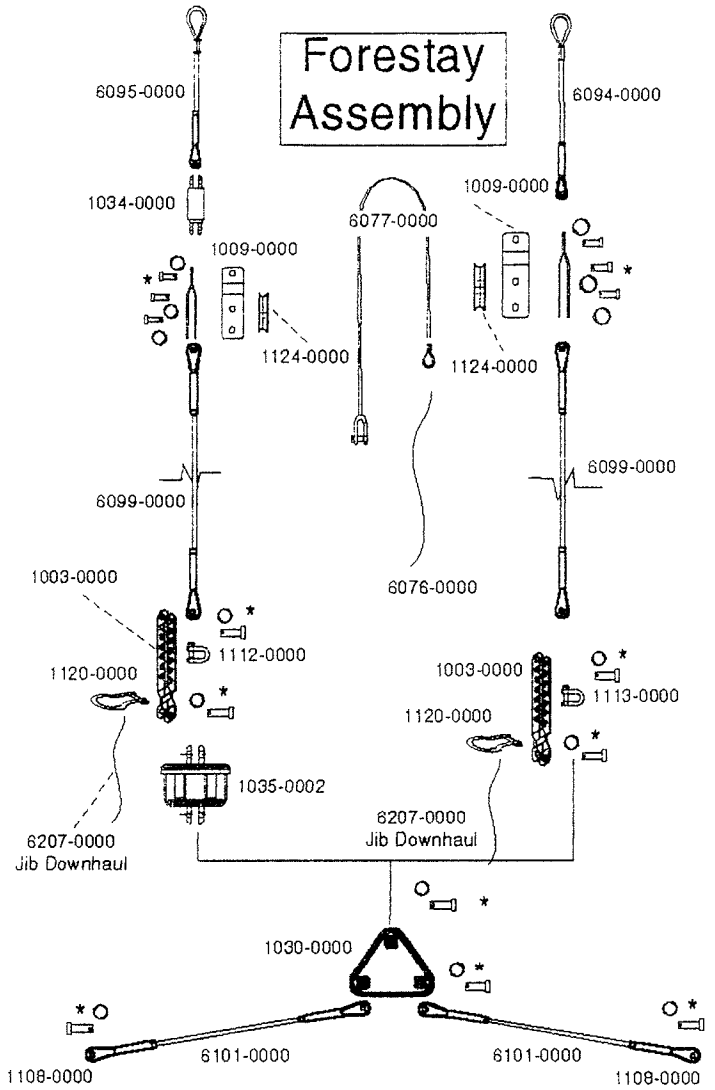
SC19



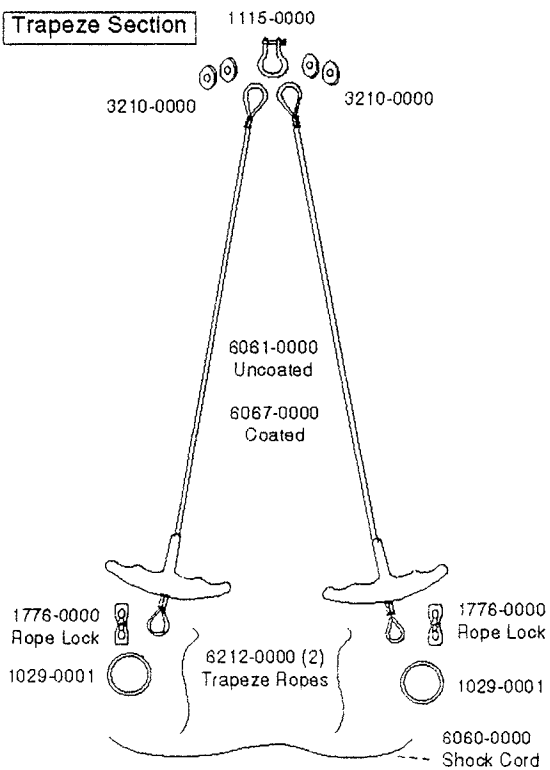
Sidestay Assembly



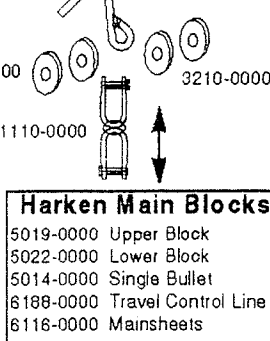
Forestay Assembly



Trapeze Section



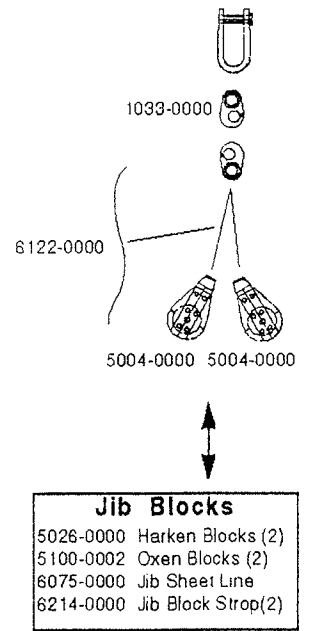
Harken Main Blocks



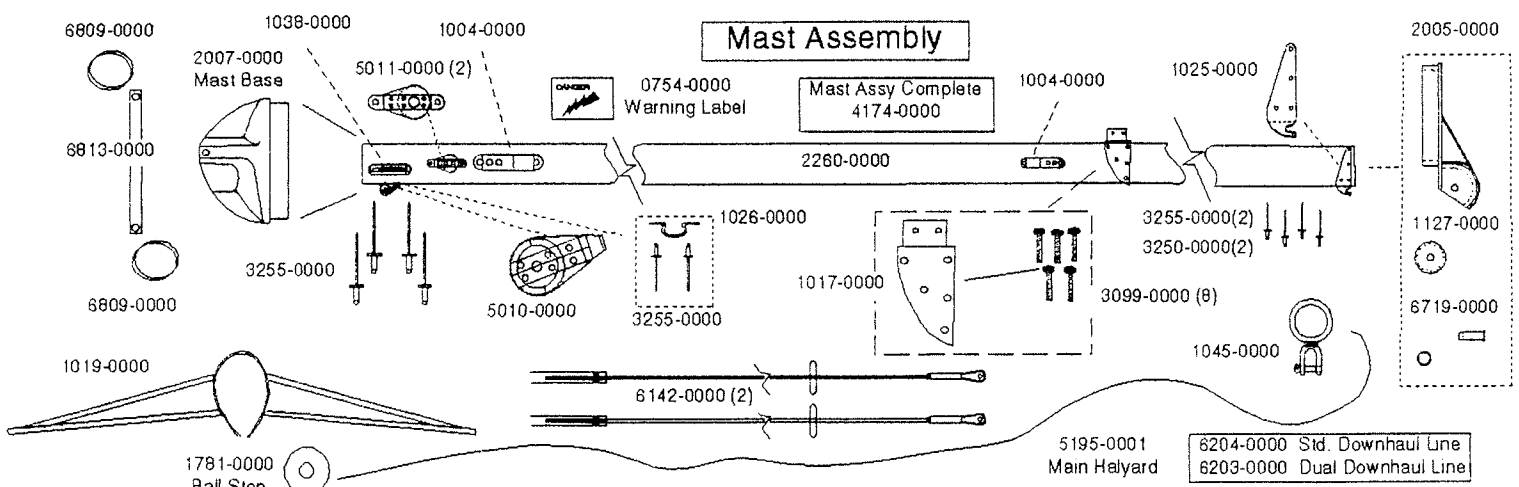
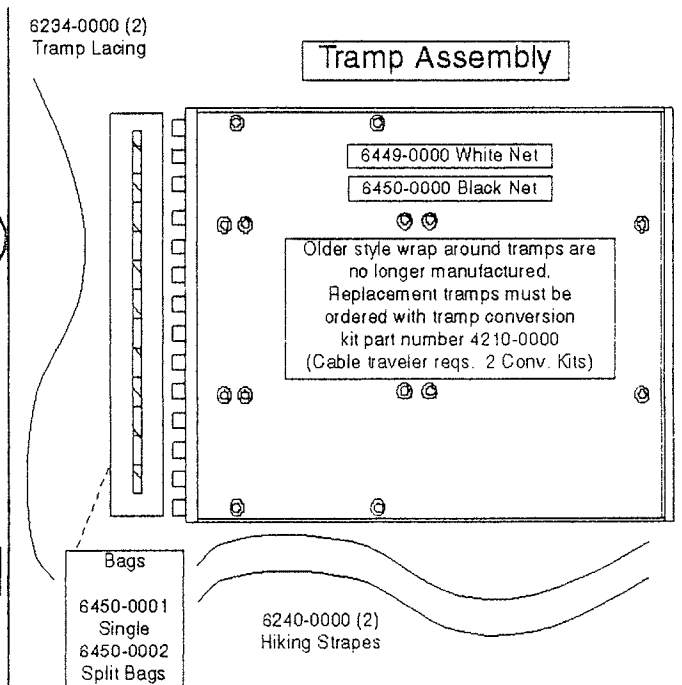
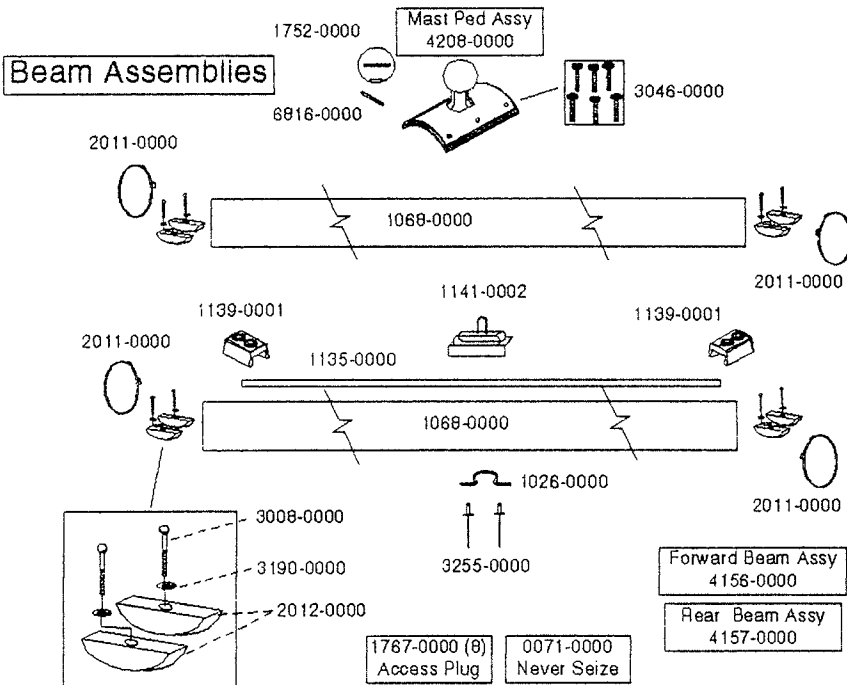
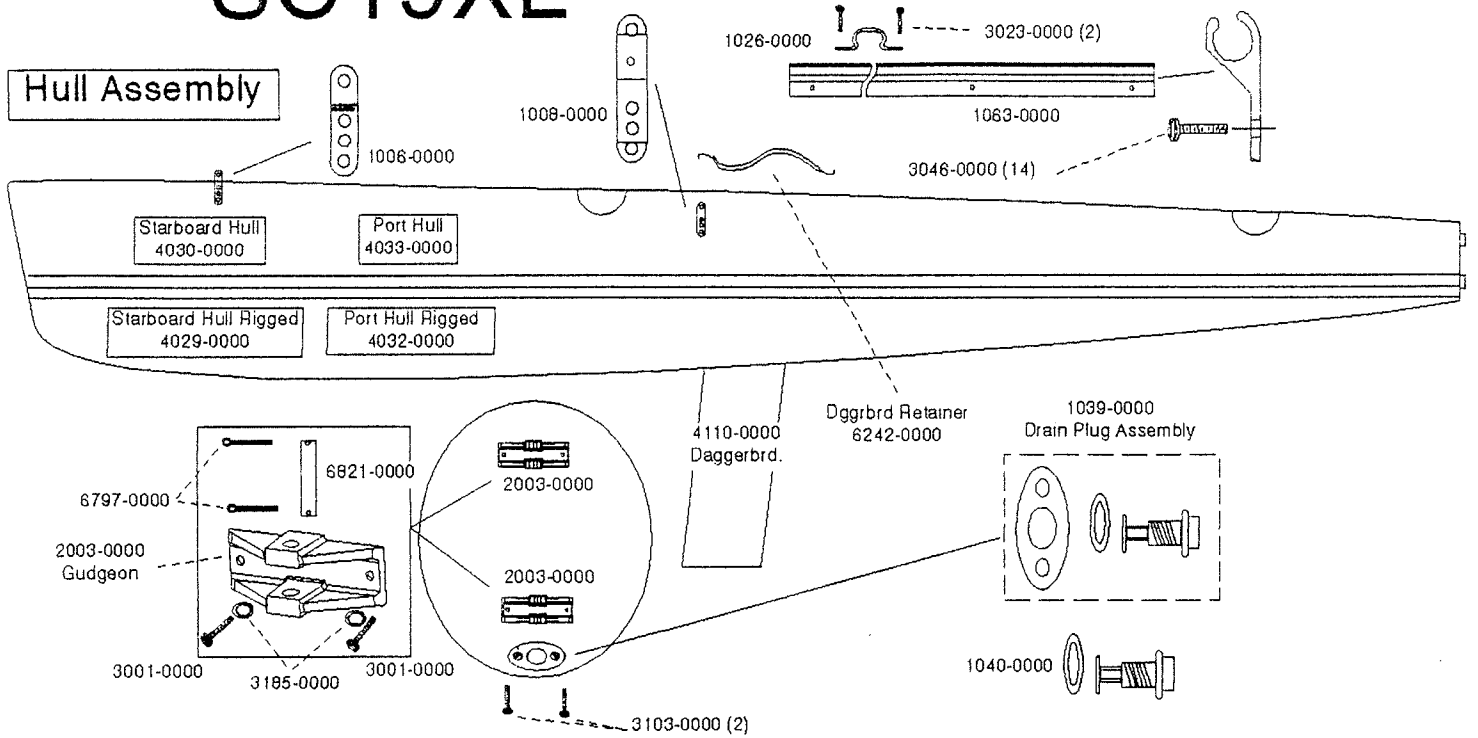
Clevis & Ring Guide

5019-0000 Upper Block	6716-0000
5022-0000 Lower Block	6719-0000
5014-0000 Single Bullet	6700-0000
6188-0000 Travel Control Line	6704-0000
6116-0000 Mainsheets	6707-0000
	6710-0000
	6711-0000
	6721-0000
	6722-0000
	6718-0000
	6717-0000
	6723-0000
	6805-0000
	6808-0000
	6809-0000

Jib Blocks

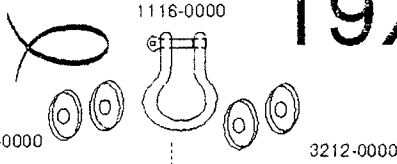


SC19XL

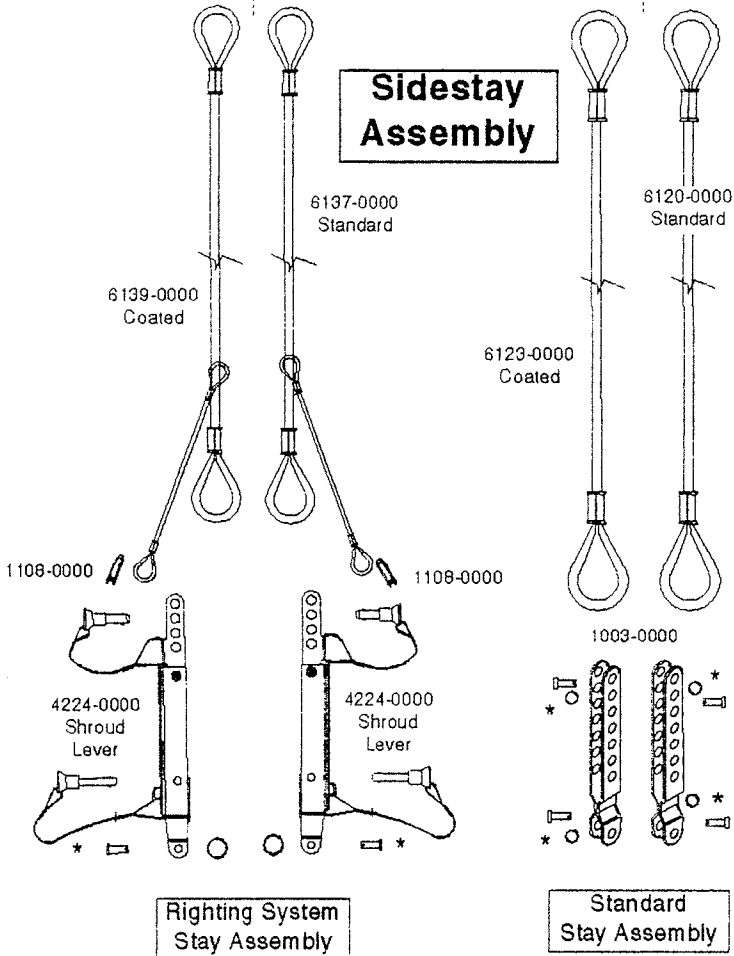


19XL

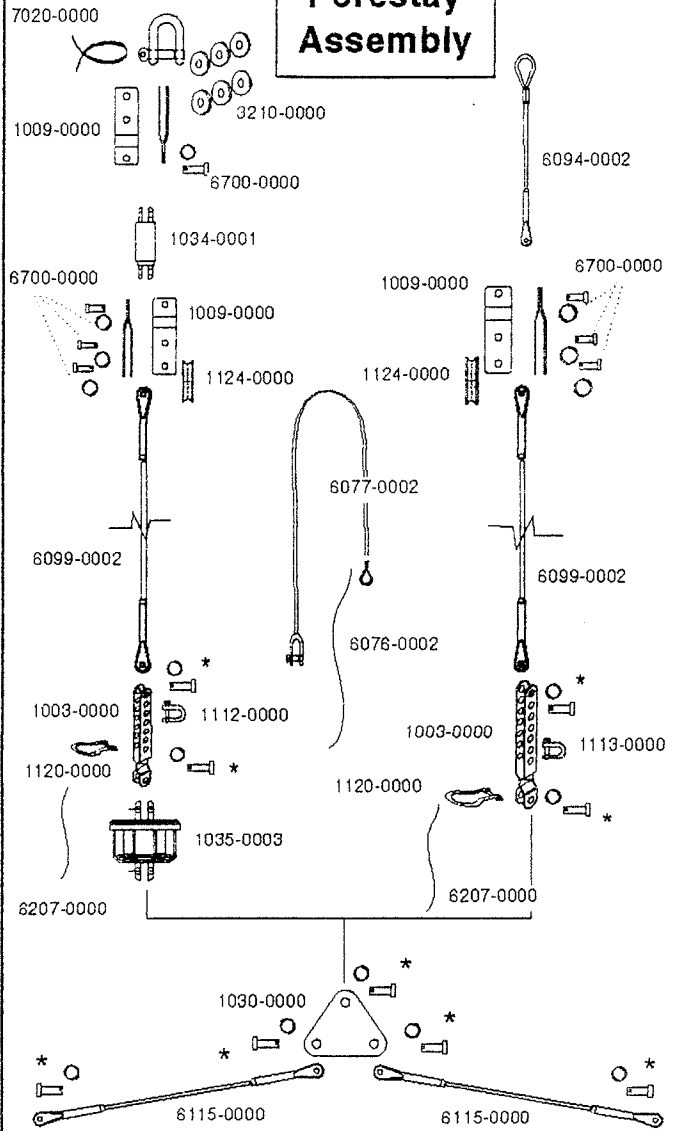
7020-0000
Safety Wire



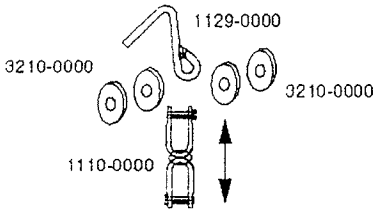
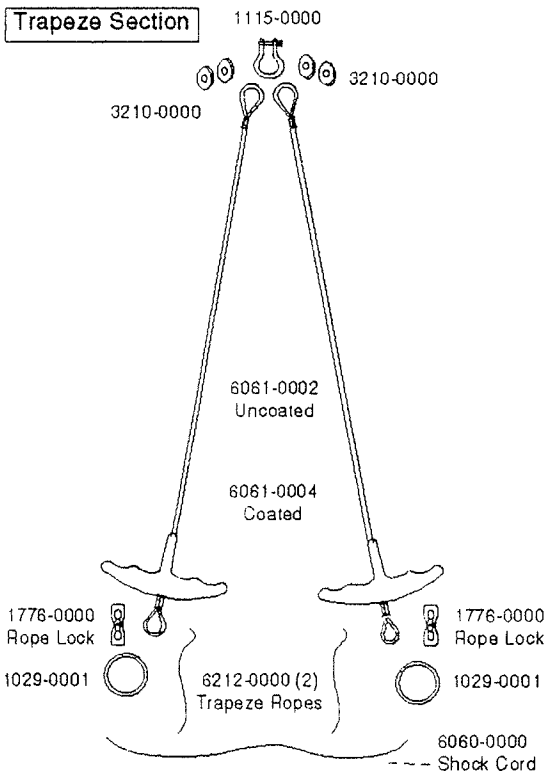
Sidestay Assembly



Forestay Assembly

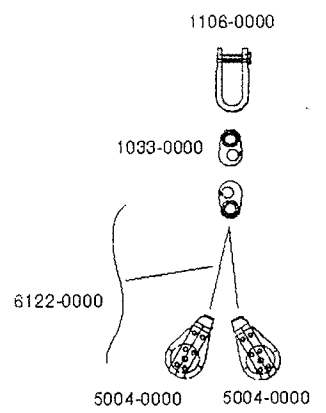


Trapeze Section



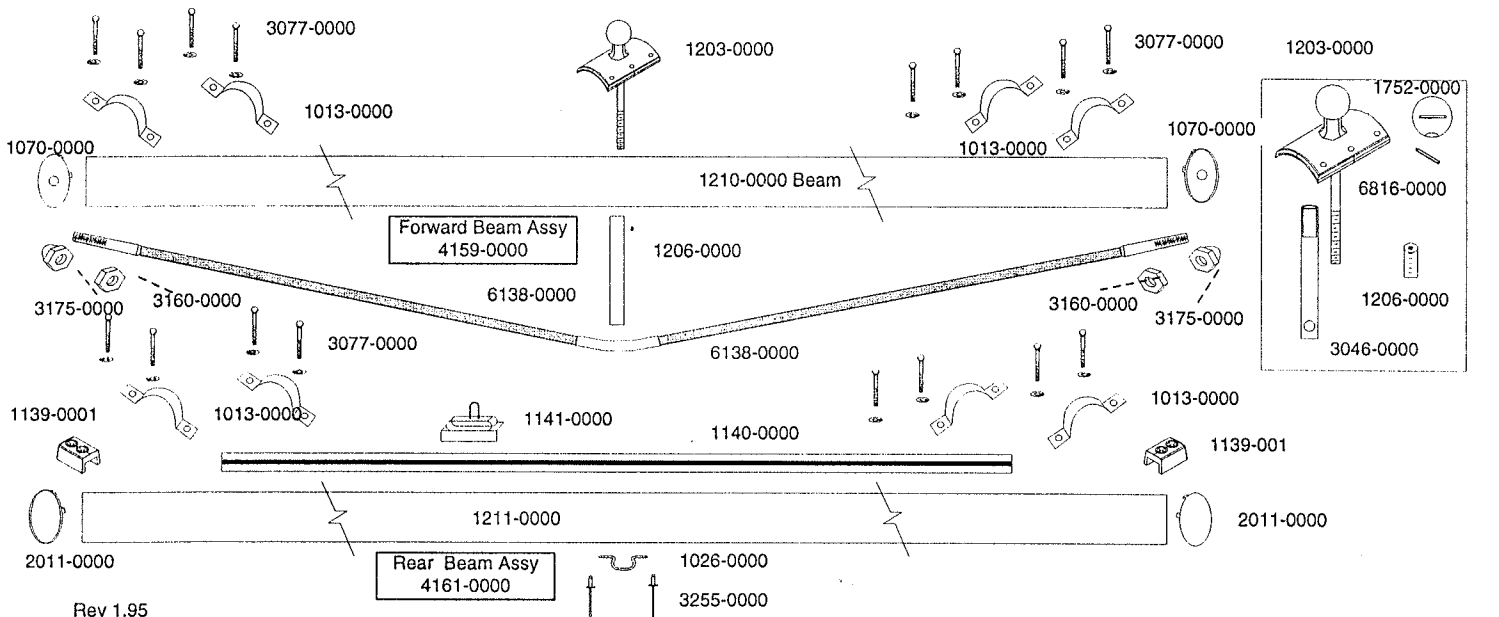
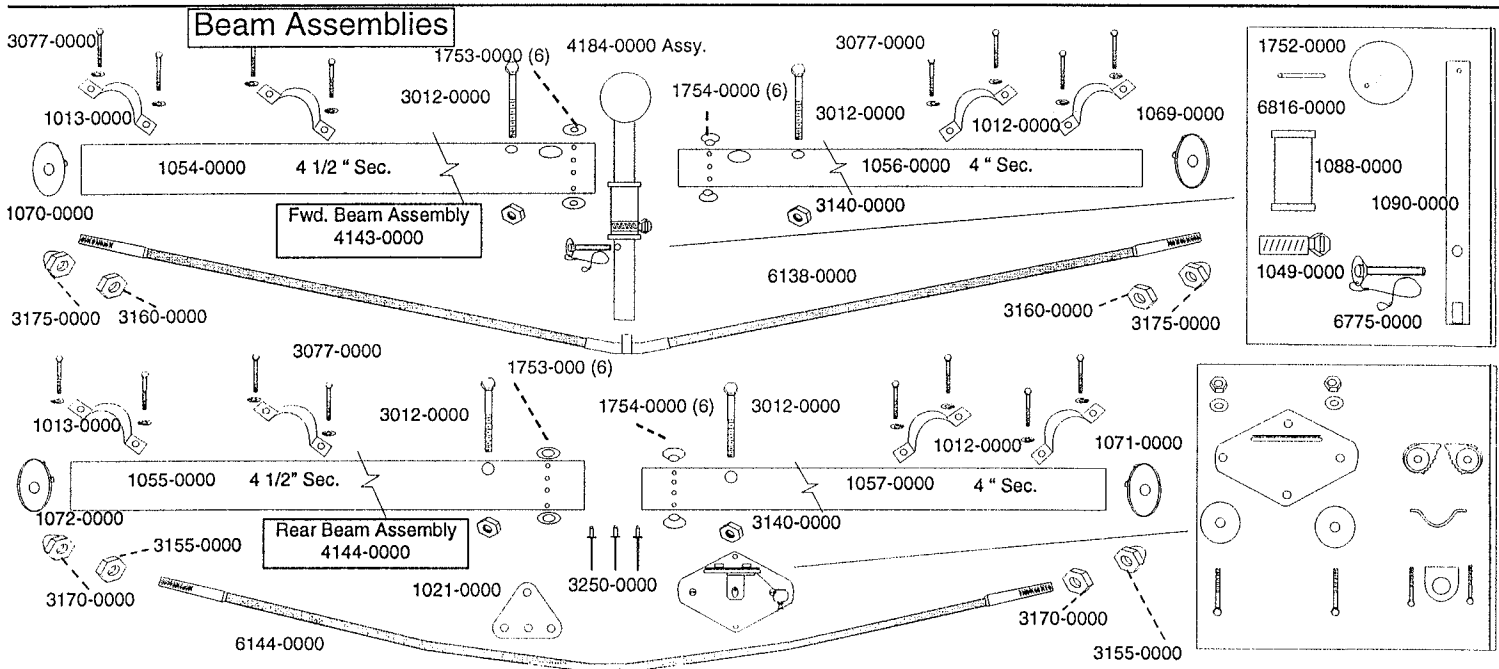
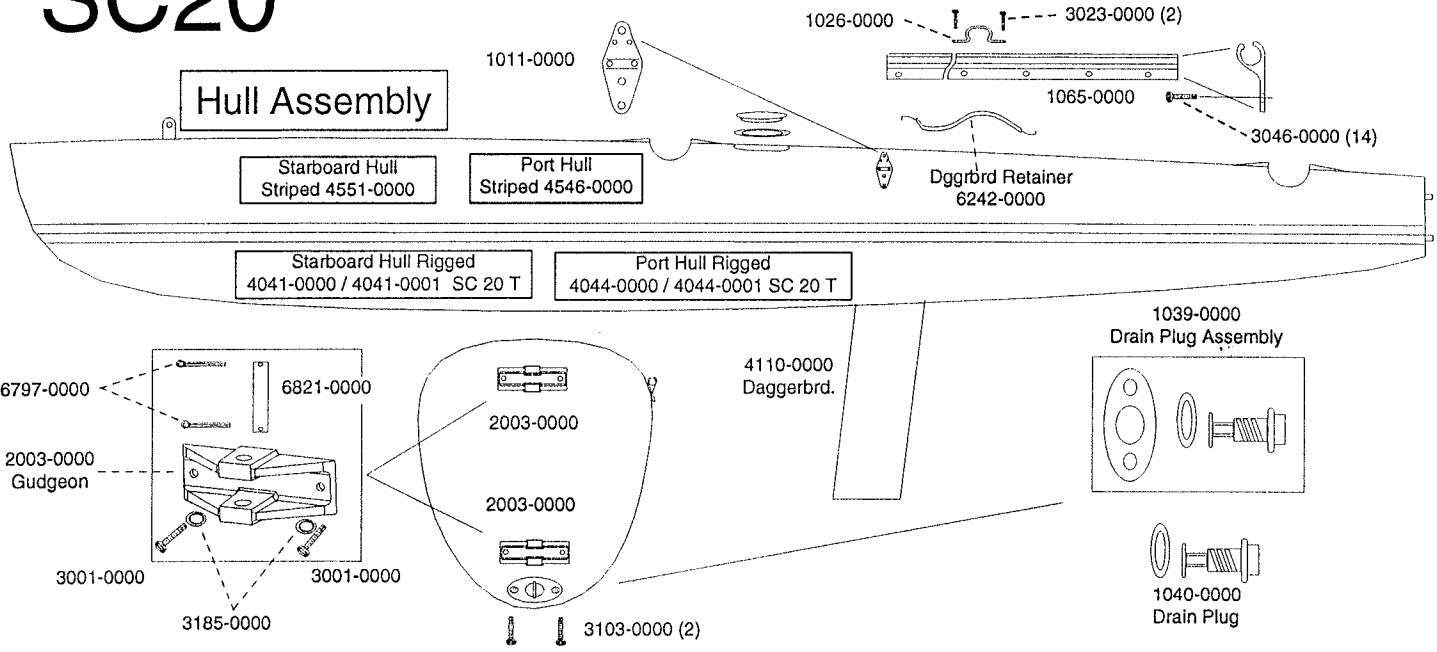
- Harken Main Blocks**
- 5025-0000 Upper Block
 - 5023-0000 Lower Block
 - 5100-0001 Oxen Block
 - 6188-0000 Travel Control Line
 - 6116-0000 Mainsheets

- Clevis & Ring Guide**
- | | |
|----------------|-----------|
| 3/8" x 3/4" | 6716-0000 |
| 5/16" x 3/4" | 6719-0000 |
| 1/4" x 13/32" | 6700-0000 |
| 1/4" x 1/2" | 6704-0000 |
| 1/4" x 3/4" | 6707-0000 |
| 1/4" x 1" | 6710-0000 |
| 1/4" x 1.25" | 6711-0000 |
| 3/16" x 13/32" | 6721-0000 |
| 3/16" x 1/2" | 6722-0000 |
| 3/16" x 5/8" | 6718-0000 |
| 3/16" x 3/4" | 6717-0000 |
| 3/16" x 1" | 6723-0000 |
| 1/2" Ring | 6805-0000 |
| 5/8" Ring | 6808-0000 |
| 3/4" Ring | 6809-0000 |

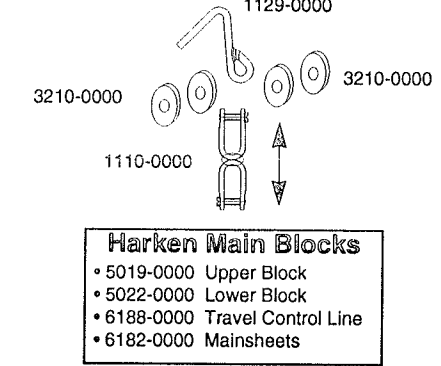
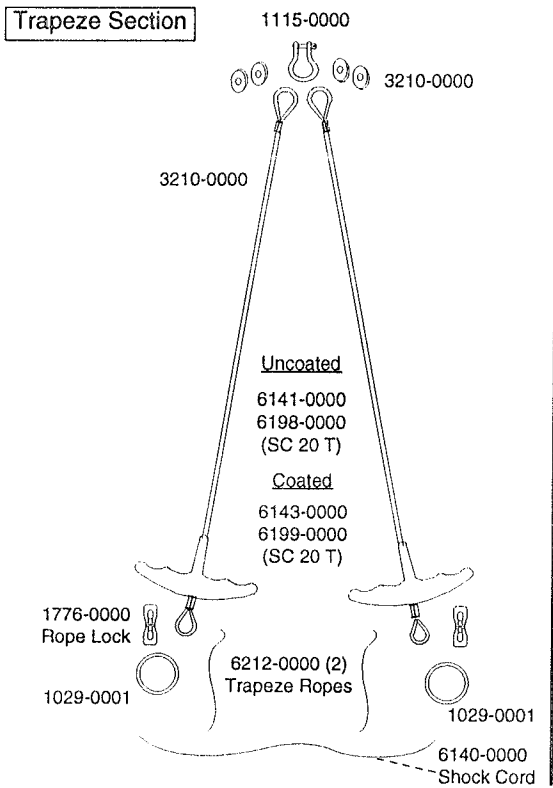
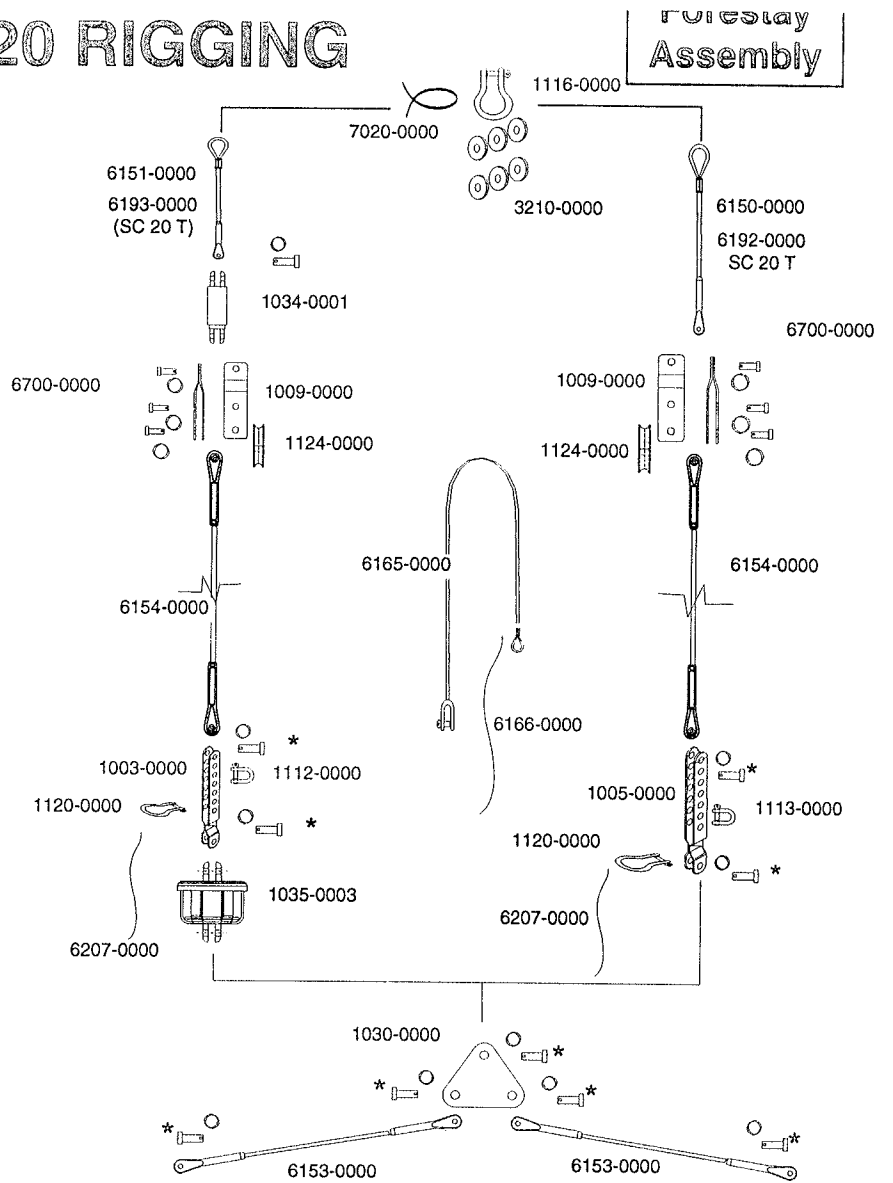
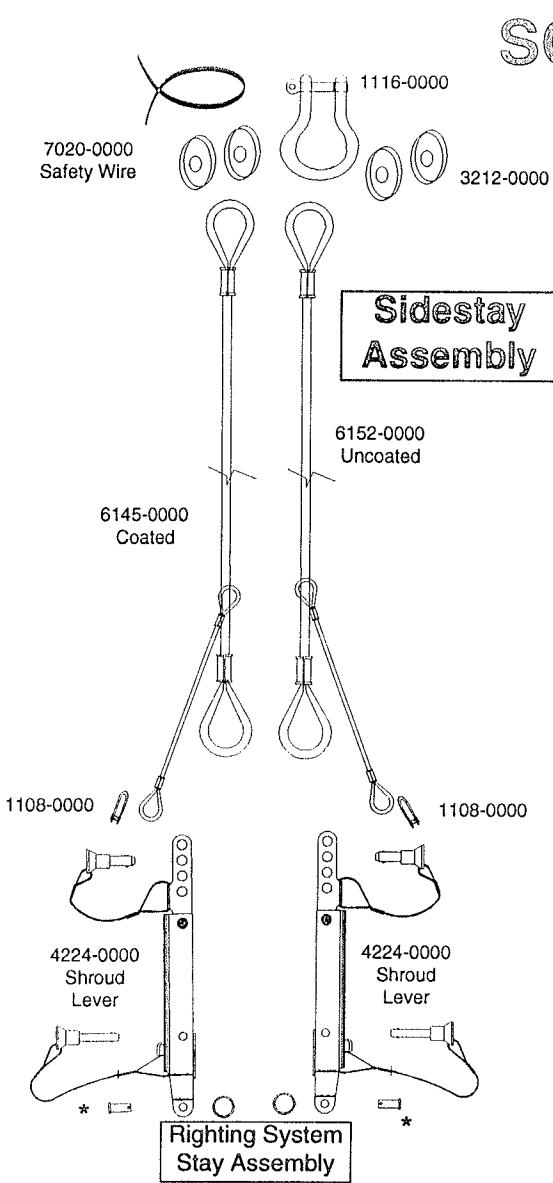


- Jib Blocks**
- 5026-0000 Harken Blocks (2)
 - 5100-0002 Oxen Blocks (2)
 - 6075-0000 Jib Sheet Line
 - 6214-0000 Jib Strop Line(2)

SC20

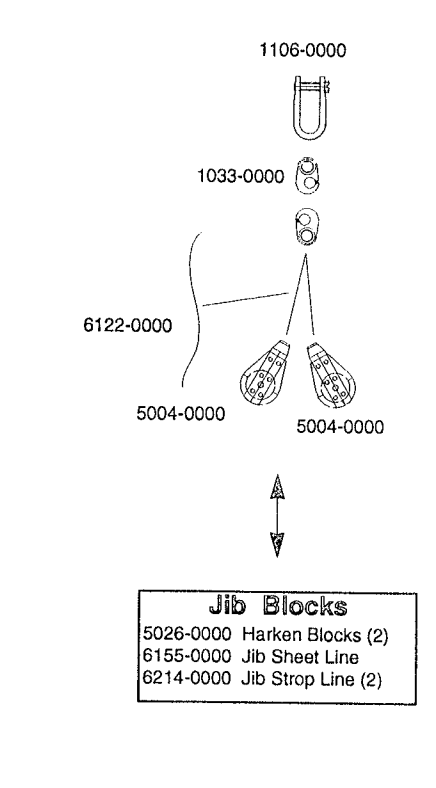


SC20 RIGGING

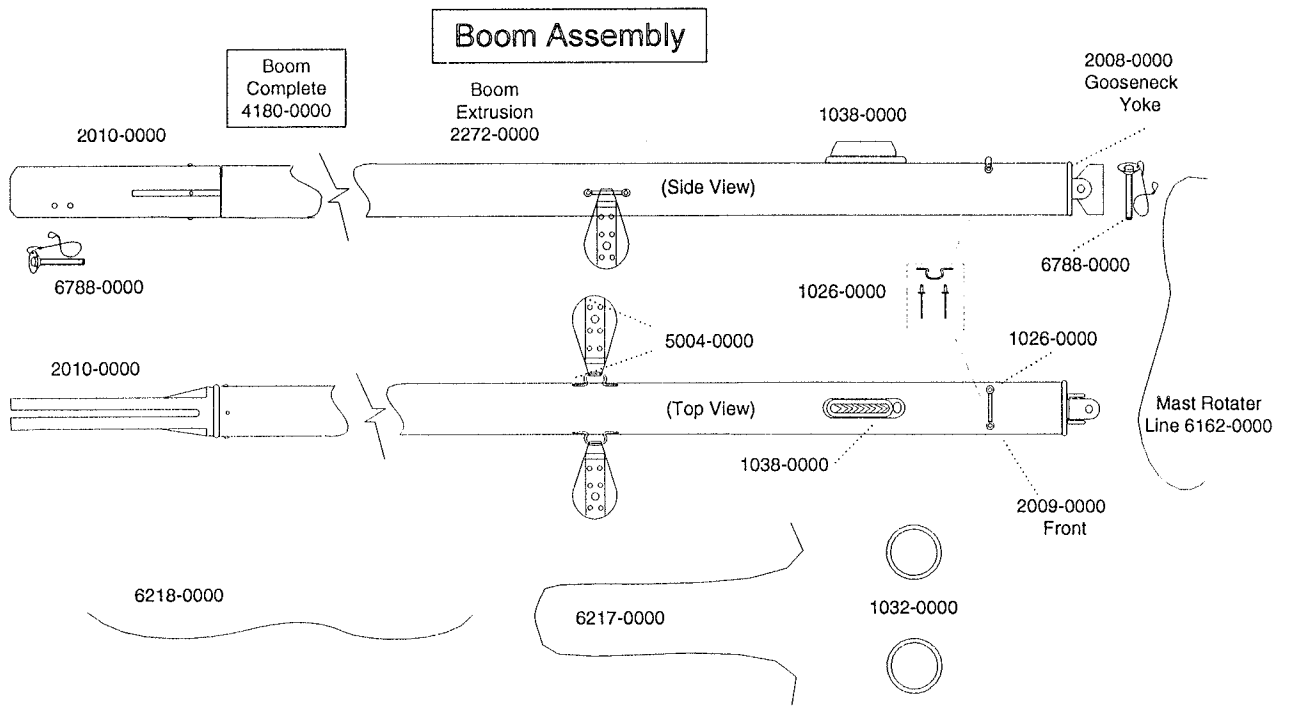
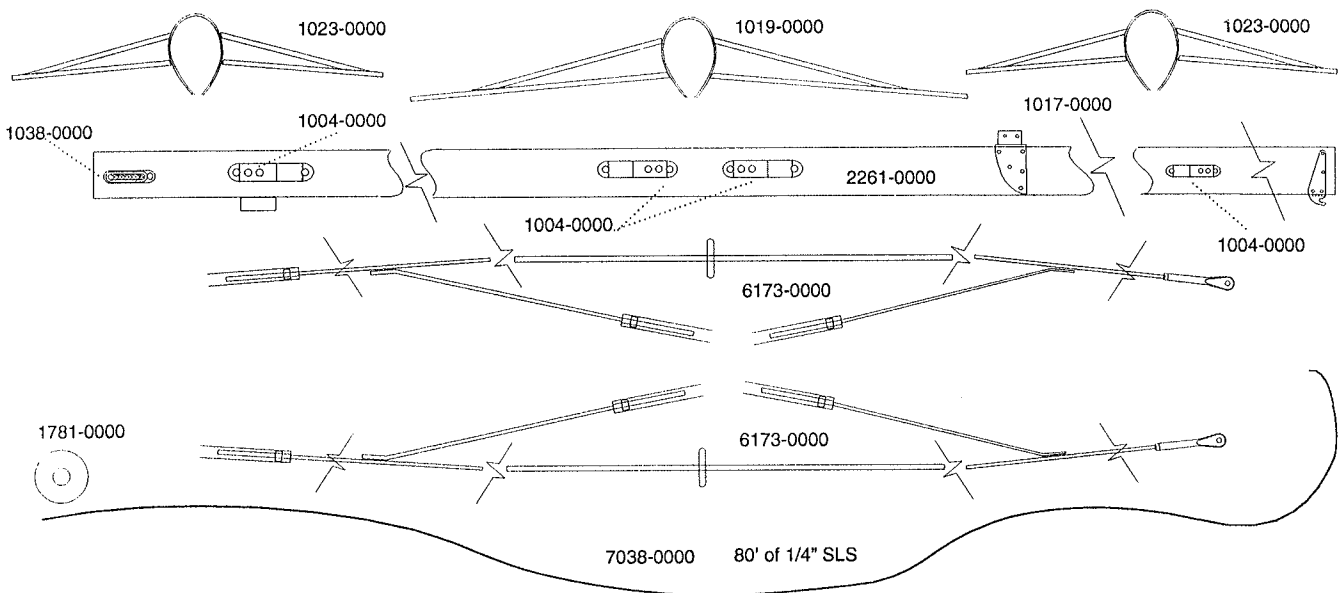
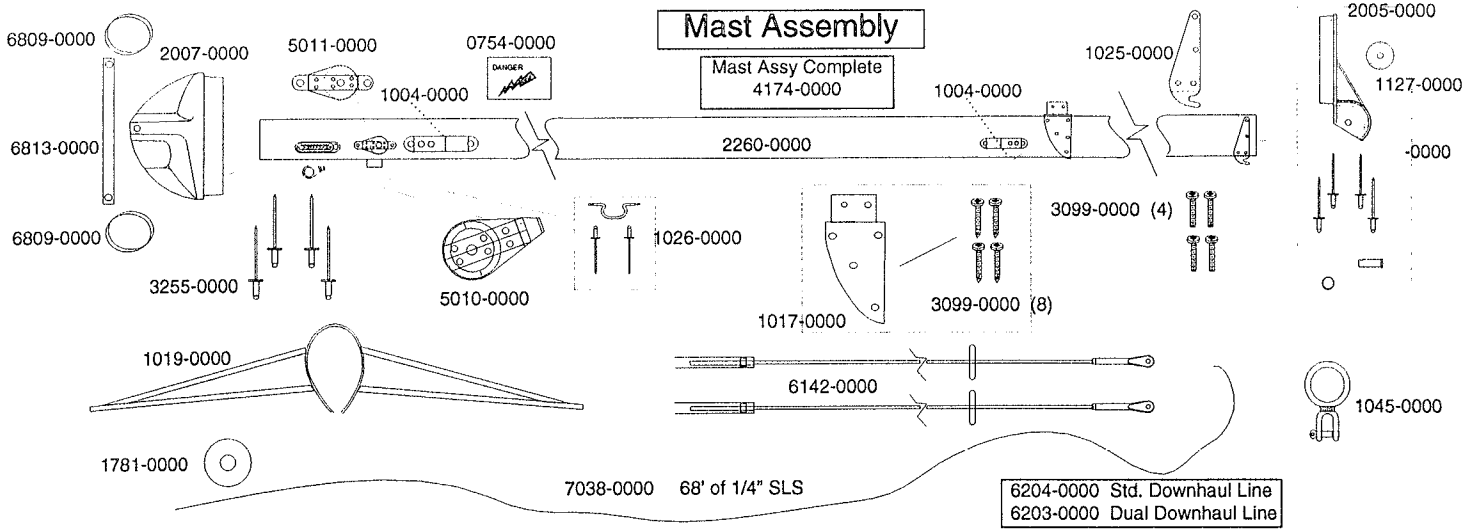


Clevis & Ring Guide

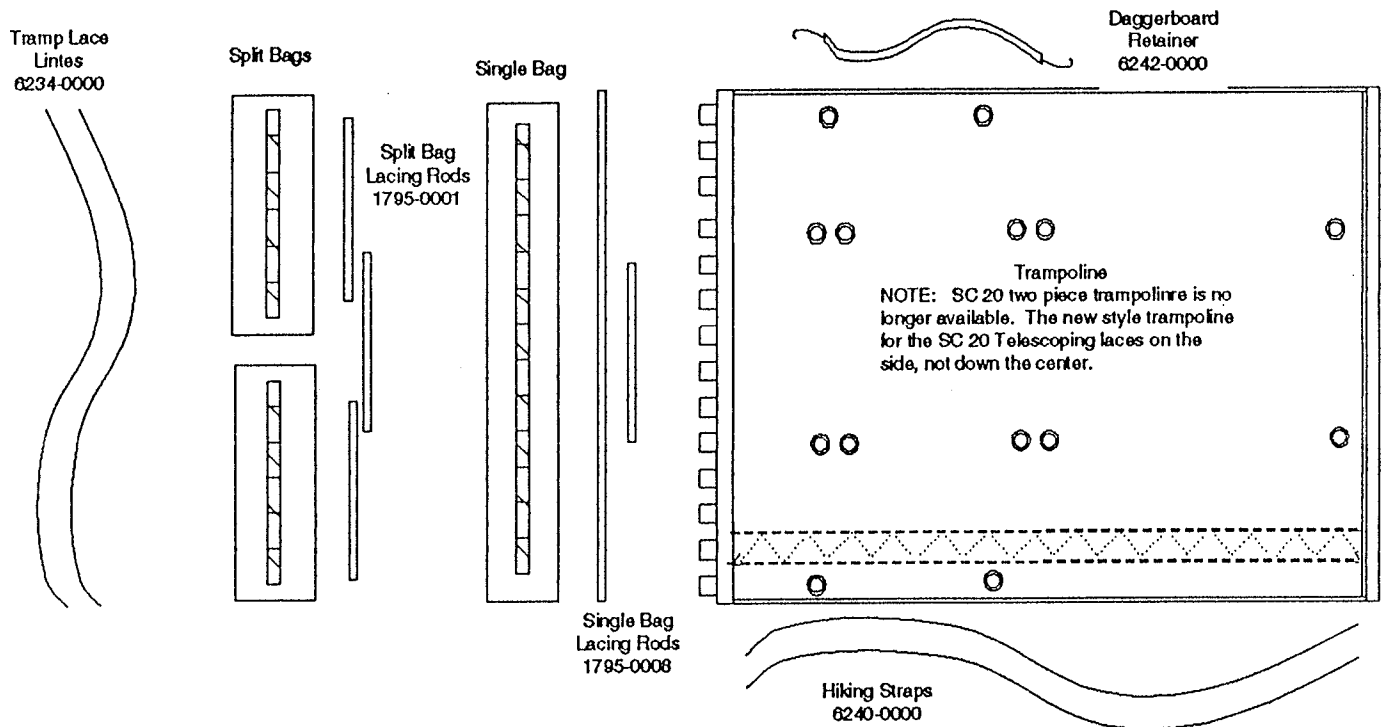
3/8" x 3/4"	6716-0000
5/16" x 3/4"	6719-0000
1/4" x 13/32"	6700-0000
1/4" x 1/2"	6704-0000 *
1/4" x 3/4"	6707-0000
1/4" x 1"	6710-0000
1/4" x 1.25"	6711-0000
3/16" x 13/32"	6721-0000
3/16" x 1/2"	6722-0000
3/16" x 5/8"	6718-0000
3/16" x 3/4"	6717-0000
3/16" x 1"	6723-0000
1/2" Ring	6805-0000
5/8" Ring	6808-0000
3/4" Ring	6809-0000



SC 20 MAST



SC 20 -SC 22 TRAMPS



20 - 22 Tramps and Bags

20-22 Black Net Tramp	6593-0000
20-22 White Net Tramp	6595-0000
22 Black Forward Tramp	6588-0000
22 White Forward Tramp	6588-0001
20-22 Single Black Bag	6593-0001
20-22 St. Jib Black Bag (pair)	6593-0002
20-22 Single Color Bag	6595-0001
20-22 St. Jib Clear Bag (pair)	6595-0002
22 Spinnaker Turtle	6539-0001
22 Under Tramp Bag Color	6593-0003
22 Under Tramp Bag Black	6595-0003
Spinnaker Line Black	6593-0004
Spinnaker Line Bag Color	6595-0004

20 Tele. Tramp and Bags

20 Tele. Black Net Tramp	6561-0000
20 Tele. White Net Tramp	6563-0000
20 Tele. Tramp Bag Black (pair)	6561-0002
20 Tele. Tramp Bag Color (pair)	6563-0002

20 - 22 Tramp Ropes

Tramp Lace (2 reqd)	6234-0000
20-22 Righting Line	6236-0000
19-22 Hiking Strap (2 reqd)	6240-0000
Dagger Retainer Assembly	6242-0000

20 Tele. Tramp Ropes

20-22 Righting Line	6236-0000
Tramp Lace (2 reqd)	6234-0000
18-20 Ladder Rope	6241-0000
19-22 Hiking Strap (2 reqd)	6240-0000
Dagger Retainer Assembly	6242-0000

Tramp Lacing Rods

Tramp Lacing Rod	1795-0000
22 Split Bag Rod (2 reqd)	1795-0001
20-22 Single Bag Rod (2 reqd)	1795-0008

Rudder Section

